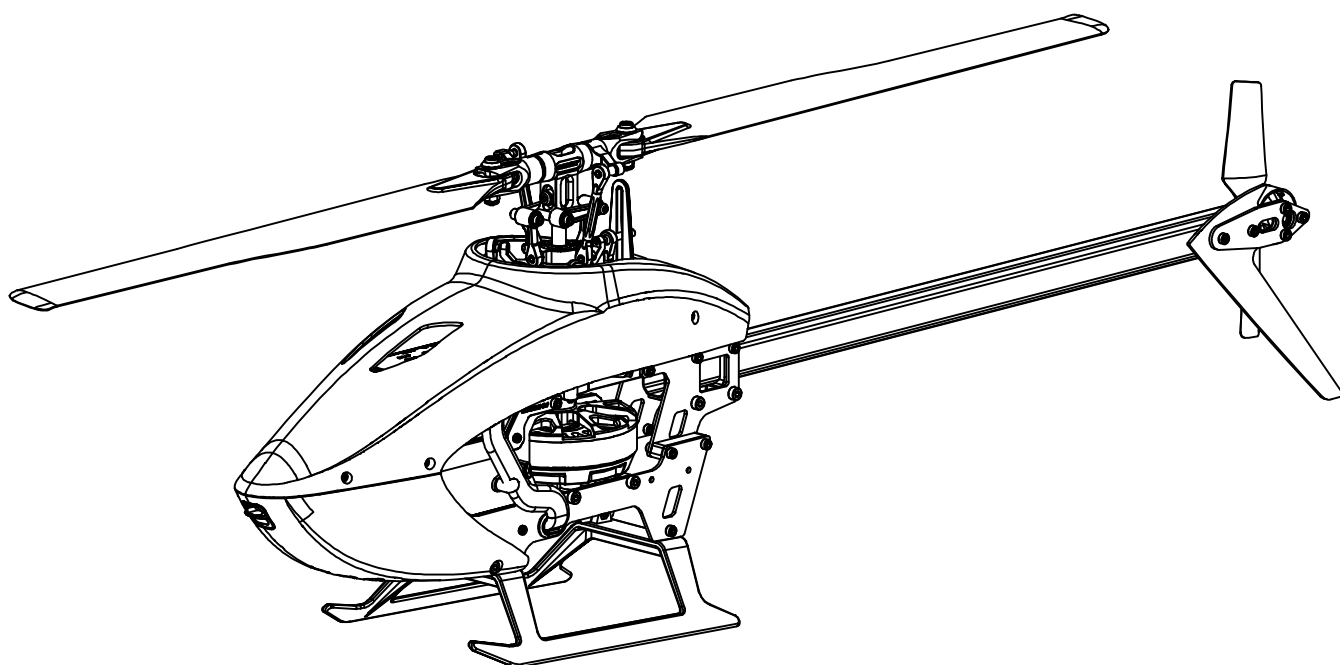


S2

INSTRUCTION MANUAL

使用说明书



GOOSKY

#1 BY DESIGN

© 2022

Thank you for choosing **Goosky** Technology series products. Before entering the remote control world, you must be told a lot of relevant knowledge and precautions to ensure that you can be more comfortable in the learning process. Before starting the operation, please read this manual carefully. We believe it will be of great help to you. Please keep this manual properly for future reference.

感谢您选用谷天科技系列产品。




进入遥控世界前必须告诉您许多相关的知识与注意事项，以确保您能够在学习的过程中较得心应手。在开始操作之前，请务必仔细阅读本说明书，相信一定能够给您带来相当大的帮助，也请您妥善保管这本说明书，以作为日后参考。

Thank you for purchasing Goosky products. In order to use the S2 helicopter easily and conveniently, please read this manual in detail before assembling and operating this helicopter. At the same time, please keep this manual properly for future adjustment and maintenance reference. S2 is a new product developed by Goosky. No matter you are a beginner who needs stable flight or a flight enthusiast who pursues excellent performance, S2 is your best choice.

感谢您选购谷天科技公司产品，为了你容易方便使用S2直升机，请您详细的阅读完这本说明书之后再行进行组装以及操作这台直升机，同时请您妥善保存这本说明书，作为日后进行调整以及维修的参考。

S2是由谷天科技有限公司自行研发的新产品，不论您是需求飞行稳定的初学者还是追求性能卓越的飞行爱好者。S2将是您最佳的选择。

WARNING LABEL LEGEND 标志代表含义

 WARNING 警告	Misuse of these operating instructions could result in property damage or serious injury. 因为疏忽这些操作说明，而使用错误可能造成财产损失或严重伤害。
 CAUTION 注意	Incorrect use can be dangerous by ignoring these operating instructions. 因为疏忽这些操作说明，而使用错误可能造成危险。
 FORBIDDEN 禁止	Do not attempt the operation in any prohibited environment. 在任何禁止的环境下，请勿尝试操作。

IMPORTANT NOTES 重要声明

S2 remote control helicopter is not a toy, it is a leisure product designed by combining many high-tech products. Improper use or unfamiliarity of the product may cause serious injury or even death. Please read this manual carefully before using. Pay attention to your own safety.

Notice! For the use of any remote control helicopter, the manufacturer and distributor cannot take any responsibility for the user's accident caused by abnormal wear and tear of parts or improper assembly. This product is provided for adults who have experience in operating model helicopters or have equivalent skills. The company will guide the flight in the local legal remote control flight field to ensure safe and error-free operation and use. After the product is sold, the company will not be responsible for any performance and safety responsibility for any operation and use control.

S2遥控直升机并非玩具，它是结合了许多高科技产品所设计出来的休闲用品，所以商品的使用不当或者不熟悉都可能会造成严重伤害甚至死亡，使用之前请务必仔细阅读本说明书，勿轻忽并注意自身安全。

注意！任何遥控直升机的使用，制造商和经销商是无法对使用者于零件使用的损耗异常或组装不当所发生之意外负责任何责任，本产品是为提供有操作过模型直升机经验的成人或者有相当技术的人员在旁指导于当地合法遥控飞行场飞行，以确保安全无误下操作使用，产品售出后该公司将不负任何责任和使用控制上的任何性能与安全责任。

Model products are consumable products that require high operating skills. If they are disassembled and used, the parts will be damaged in various situations. If the products are defective or unsatisfactory due to any use, they will not be replaced with new products within the warranty conditions. Or return the product, in case of operation and maintenance problems, the company's global branches or agents will provide technical guidance and special parts supply services.

模型商品属于需高操作技术且为消耗性之商品，如经拆装使用后，会造成不等情况零件损耗，任何使用情况所造成的商品不良或不满意，将无发于保固条件内更换新品或者退货，如遇有使用操作维修问题，本公司全球分公司或者代理商将提供技术指导，特价零件供应服务。

SAFETY NOTES 安全注意事项



Remote control model airplanes and helicopters are high-risk commodities, and they must be kept away from crowds when flying. Improper assembly or damaged parts, poor electronic control equipment, and unfamiliar handling may lead to unforeseen accidents such as loss of control and damage to the flight. Please pay attention to flight safety and understand the responsibility for any accident caused by your own negligence.

遥控模型飞机、直升机属于高危险性商品，飞行时务必远离人群，人为组装不当或机件损坏，电子控制设备不良，以及操控上的不熟悉、都有可能致飞行失控损伤等不可预期的意外，请飞行者务必注意飞行安全，并需了解自负疏忽所造成的任何意外之责任。

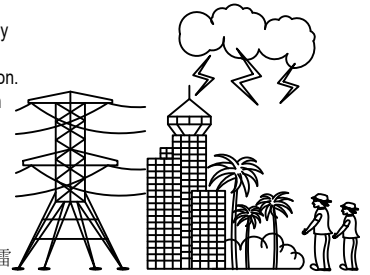


LOCATE AN APPROPRIATE LOCATION 远离障碍物及人群

Helicopter flying has a certain speed, which is relatively potentially dangerous. The choice of venue is also relatively important. Please abide by local laws and regulations and go to a legal remote control flight venue to fly. You must pay attention to whether there are people, high-rises, buildings, high-voltage wires, trees, etc. around, so as to avoid damage to your own or other people's property caused by improper manipulation. When practicing for the first time, be sure to choose to fly in an open, legal and exclusive flight site and properly match the training rack, which will greatly reduce the damage caused by flight errors. Do not operate in bad weather such as rainy days and thunderstorms to ensure the safety of yourself and the body.

直升机飞行时具有一定的速度, 相对的也潜在着危险性, 场地的选择也相对的重要, 请遵守当地的法律法规到合法的遥控飞行场地去飞行。必须注意周边有没有人、高楼、建筑物、高压电线、树木等等, 避免操控的不当造成自己或他人的财产损失。

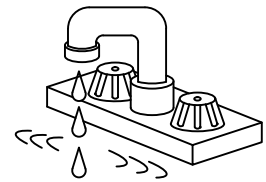
初次练习时, 务必选择在空旷合法专属飞行场地并适当搭配练习架飞行, 这对于飞行失误所造成的损伤将会大幅的降低。请勿在下雨天、打雷等恶劣天气下操作, 以确保本身及机体的安全。



PREVENT MOISTURE 远离潮湿环境

The interior of the helicopter is also composed of precise electronic parts, so it must be absolutely protected from damp or moisture. Avoid using it in the bathroom or in rainy days, to prevent moisture from entering the interior of the fuselage and causing the failure of the parts and electronic parts, resulting in unexpected accidents!

直升机内部也是由精密的电子零件组成, 所以必须绝对的防止潮湿或水气, 避免在浴室或雨天时使用, 防止水气进入机身内部而导致机件及电子零件故障而引发不可预期的意外!



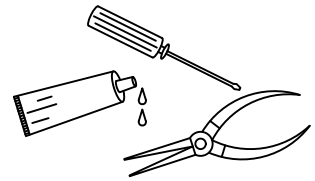
PREVENT OPETATION 勿不当使用本产品

Do not modify and process by yourself. For any upgrade, modification or repair, please use the parts in the product catalog of GOOSKY to ensure the safety of the structure.

Please confirm to operate within the product limits, do not use overload, and do not use it for other illegal purposes other than safety and laws.

请勿自行改造加工, 任何的升级改装或维修, 请使用谷天科技产品目录中的零件, 以确保结构的安全。

请确认于产品限界内操作, 请勿过载使用, 并勿用于安全、法令外其他非法用途。



OBTAIN THE ASSISTANCE OF AN EXPERIENCED PILOT 避免独自操控

Before arriving at the flight site, it is necessary to confirm whether there are friends of the same frequency flying, because turning on the transmitter of the same frequency will cause unexpected dangers such as immediate interference with others.

Remote control aircraft control skills are difficult in the early stage of learning. It is necessary to avoid operating the flight alone as much as possible, and it needs the guidance of an experienced person to control the flight. Diligent practice of computer simulators and veteran guidance is a necessary choice for entry

至飞行场地前, 需确认是否有相同频率的同好正在飞行, 因为开启相同的频率的发射机将导致自己与他人立即干扰等意外危险。

遥控飞机操控技巧在学习初期有着一定的难度, 要尽量避免独自操作飞行, 需有经验的人士在旁指导, 才可以操控飞行。(勤练电脑模拟器及老手指导是入门必要的选择)



SAFE OPERATION 安全操作

Please operate this helicopter within your own capabilities and within a certain technical range. If you are too tired, mentally or improperly operated, the risk of accidents may increase.

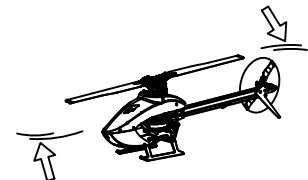
请于自己能力内及需要一定技术范围内操作这台直升机, 过于疲劳, 精神不佳或不当操作, 意外发生风险将可能会提高。



ALWAYS BE AWARE OF THE ROTATING BLADES 远离运转中的零件

When the main rotor and tail rotor of the helicopter are running, do not touch and keep away from any objects to avoid danger and damage

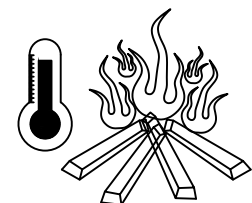
当直升机主旋翼与尾旋翼运转时, 切勿触摸并远离任何物件, 以避免造成危险及损坏。

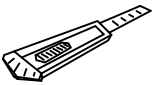

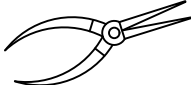
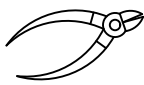
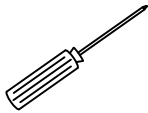
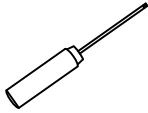





KEEP AWAY FROM HEAT 远离热源

Most of the remote control planes are made of fiber, polyethylene, and electronic products. Therefore, try to stay away from heat sources and sunlight to avoid the possibility of deformation or even meltdown and damage due to high temperature.

遥控飞机多半是以PA纤维或聚乙烯、电子产品为主要材质, 因此要尽量远离热源、日照, 以避免因高温而变形甚至熔毁损坏的可能。



 Knife 刀子	 Scissors 剪刀	 Needle Nose Pliers 尖嘴钳	 Diagonal Cutting Pliers 斜口钳	
 Philips Screw Drive 十字螺丝起子	 Hexagon Screw Driver 六角螺丝起子	 lubricating oil	 CA瞬间胶	 AB Glue AB胶

胶水使用方法 Instructions of using glue

For the assembly steps marked with the following symbols, please use glue or oil to ensure the reliability of use.
标有以下符号之组装步骤，请配合上胶或上油，以确保使用之可靠度。



Use screw glue
使用螺丝胶



Add lubricating oil
添加润滑油



Normal tightening
普通拧紧



No screw glue needed
无需使用螺丝胶



Add lubricating grease
添加润滑油脂



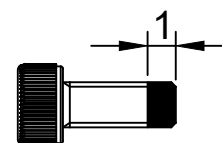
Completely tightened
完全拧紧



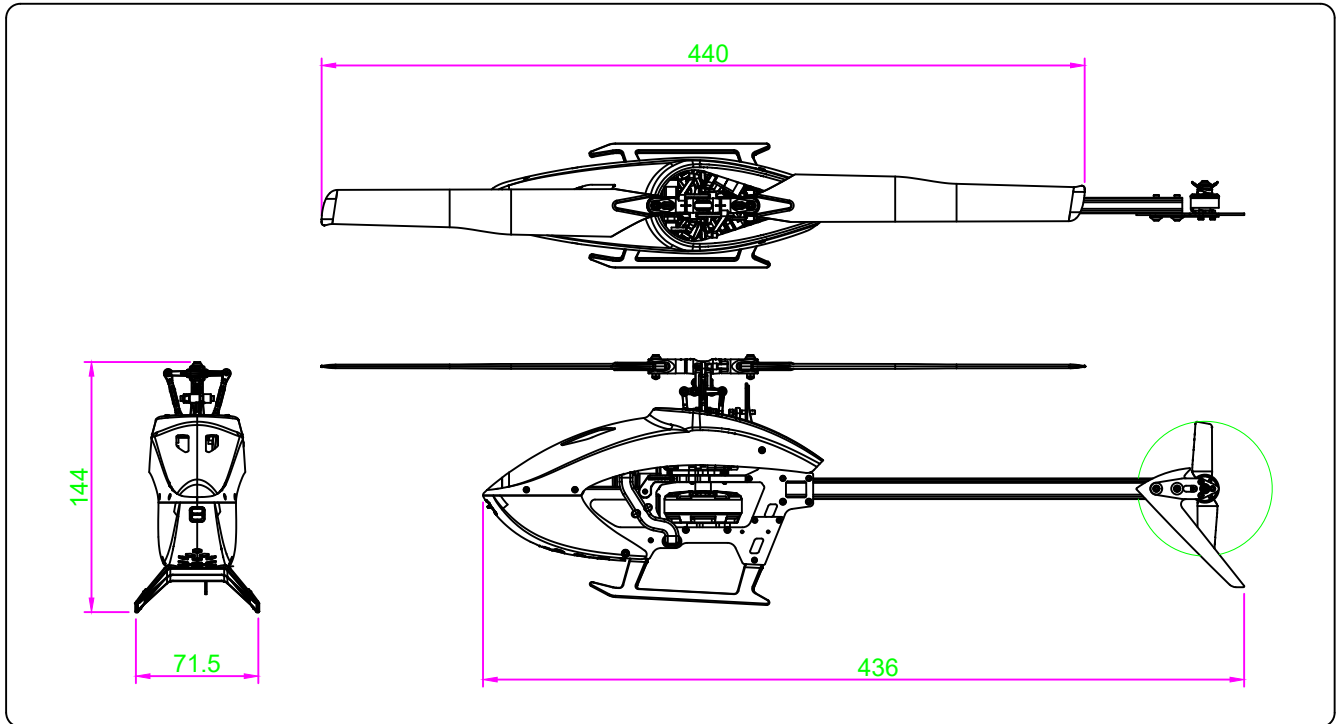
Secure with instant glue
使用瞬间胶固定



Repeat many times
重复多次



The width of the blue screw glue
蓝色螺丝胶上胶宽度约1.0mm



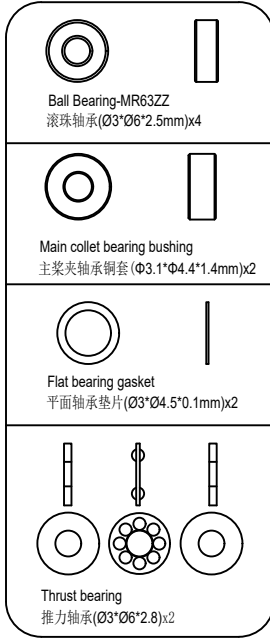
Specifications 参数配备

- | | |
|------------------------------|----------------|
| ● Length: 436mm | ● 机身长: 436mm |
| ● Height: 144mm | ● 机身高: 144mm |
| ● Main Blade: 193mm | ● 主旋翼长度: 193mm |
| ● Main Rotor Diameter: 440mm | ● 主旋翼直径: 440mm |
| ● Tail Rotor Diameter: 99mm | ● 尾旋翼直径: 78mm |
| ● Flying Weight: 345g | ● 起飞重量约: 345g |

Features 设计特点

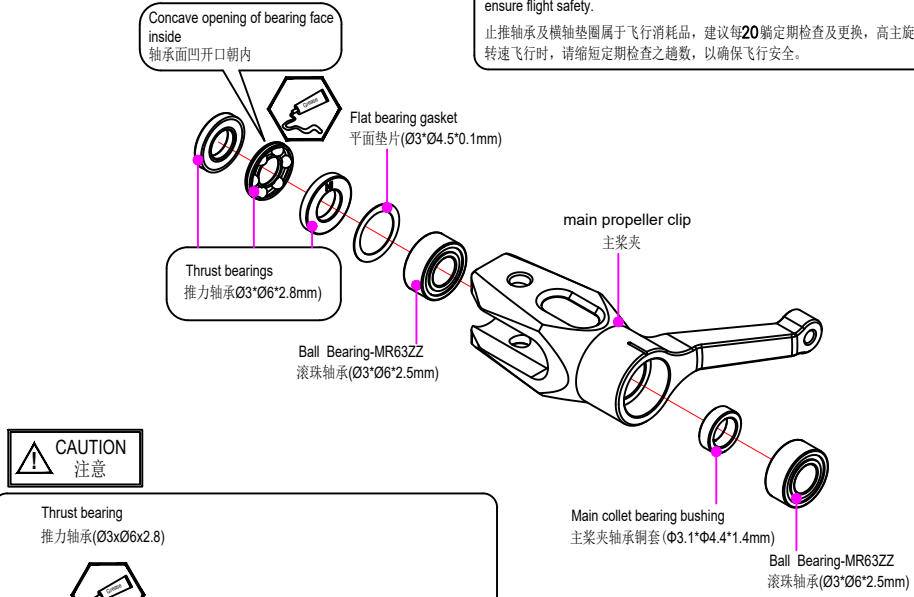
- With dual brushless motors driving the main and tail rotors directly
- FBL rotor head structure
- Adjustment free connecting rod of the whole aircraft
- Streamlined and enclosed canopy with colorful paint technology
- Retractable quick-release battery structure
- Embedded quick assembly gasket design
- Parameter adjustment by Smart Phone APP
- Wireless program upgrade
- Anti-reversion quick-release propeller design
- Fastening motor tab connection
- GTS System Reconstruction of Higher Order Control Algorithms

- 采用双无刷电机直接驱主尾旋翼设计
- FBL 旋翼头结构
- 全机免调连杆设计
- 流线型, 封闭式头罩, 采用炫彩烤漆工艺
- 开合式快拆电池结构
- 嵌入式快装垫片设计
- 手机APP调参、无线程序升级
- 防呆快拆螺旋桨设计
- 紧固式极耳电机连接
- 多功能、高集成GTS飞控系统

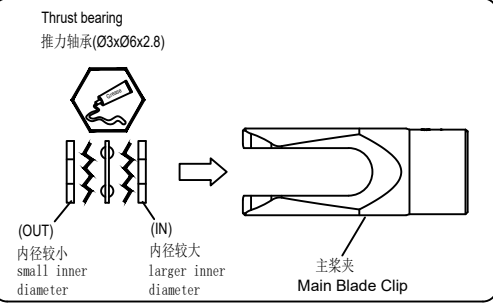


CAUTION
注意

Thrust bearing and washer for radial bearing are wear items, and thus should be inspected for replacement after every 20 flights.
For flights with high headspeed, the inspection interval should be reduced to ensure flight safety.
止推轴承及横轴垫圈属于飞行消耗品, 建议每20躺定期检查及更换, 高主旋翼转速飞行时, 请缩短定期检查之趟数, 以确保飞行安全。

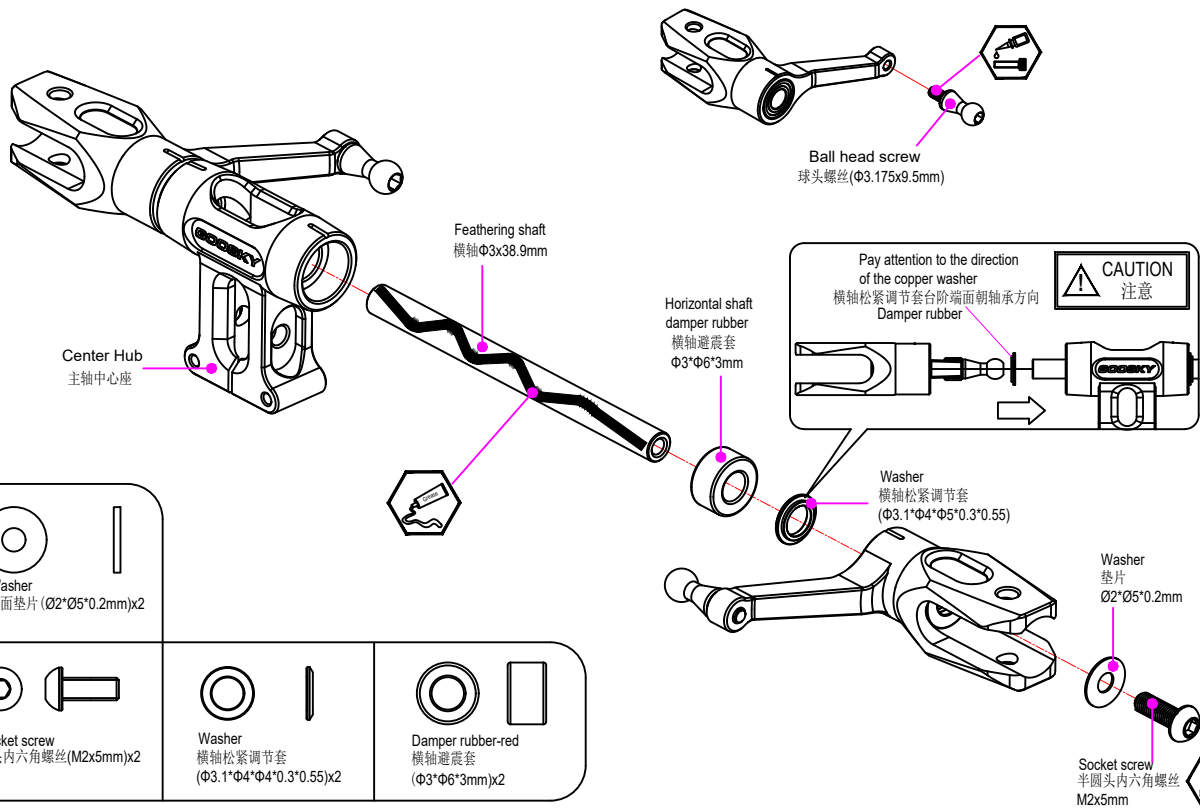


CAUTION
注意



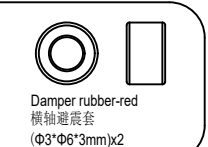
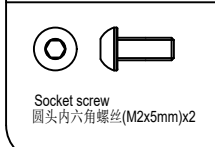
CAUTION
注意

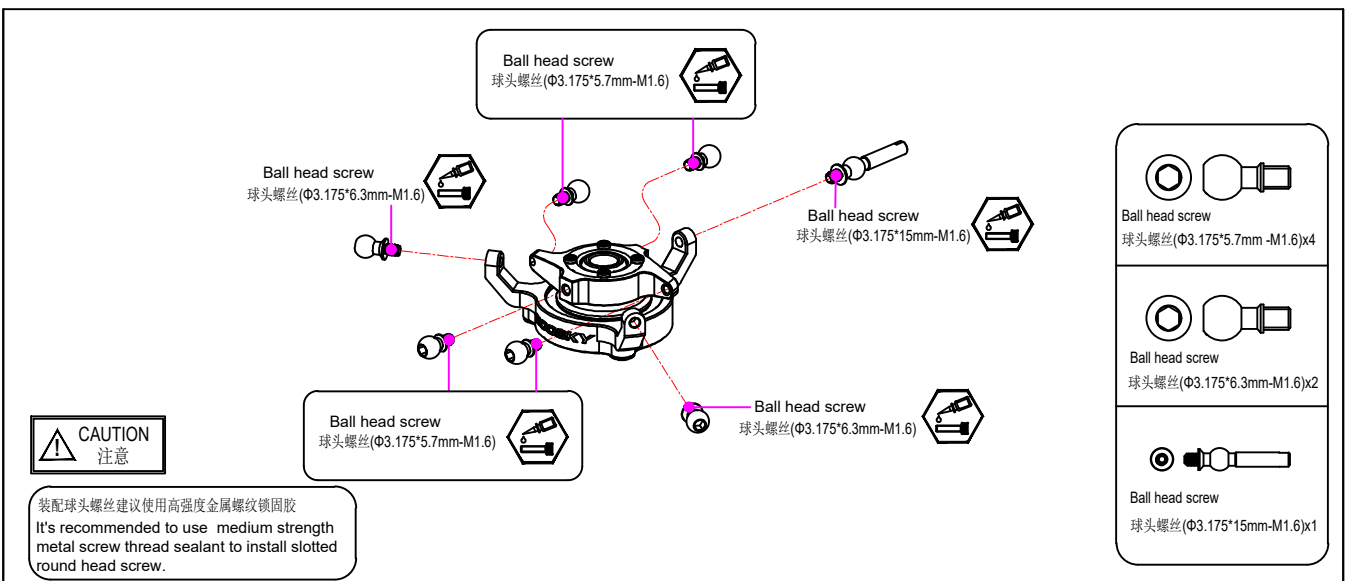
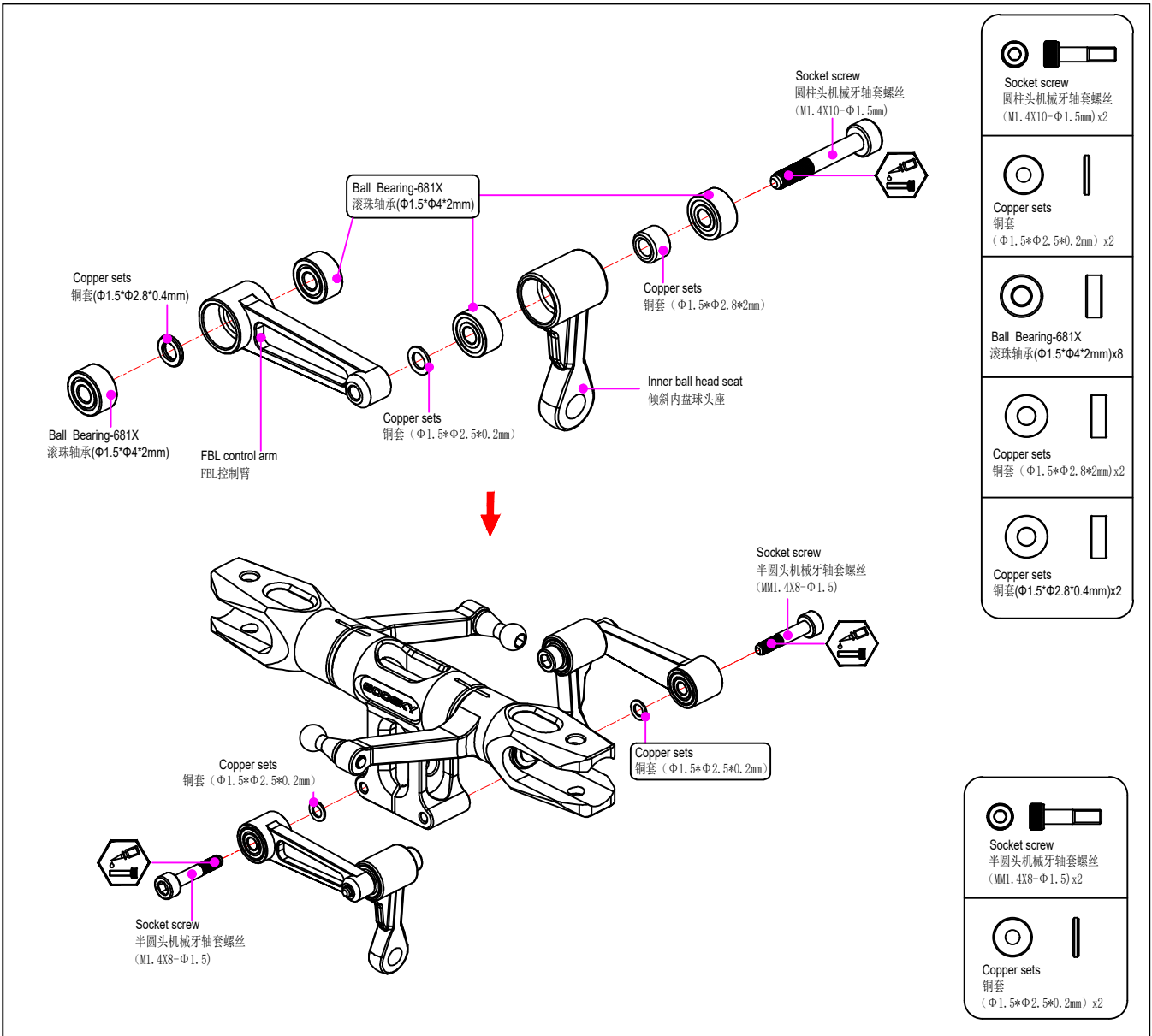
原装组装完成品, 每一次飞行前请先确认螺丝是否已上胶不会松动。
The original assembled product, please confirm whether the screw is glued and will not loosen before each flight.



CAUTION
注意

Pay attention to the direction of the copper washer
横轴松紧调节套台阶端面朝轴承方向
Damper rubber
横轴避震套





CAUTION
注意

装配球头螺丝建议使用高强度金属螺纹锁固胶
It's recommended to use medium strength metal screw thread sealant to install slotted round head screw.

Ball Bearing-MR104ZZ
滚珠轴承(Φ4*Φ10*4)

Servo bracket
舵机支架

Ball Bearing-MR104ZZ
滚珠轴承(Φ4*Φ10*4)

Socket screw
圆柱头内六角机械螺丝
(M1.6X6)

Bearing limit
carbon plate
轴承限位碳板

Socket screw
圆柱头内六角机械螺丝
(M2X6)

second floor
二楼板

Motherboard
主板

CAUTION
注意

注意二楼板的装配方向, 注意红色框内箭头指向区域的方向

Ball Bearing-MR104ZZ 滚珠轴承(Φ4*Φ10*4) x2	Socket screw 圆柱头内六角螺丝 (M1.6x6mm)x2	Socket screw 圆柱头内六角螺丝 (M2x6mm)x3

Socket screw
圆柱头内六角螺丝
M1.6x4mm

CCPM舵机
CCPM servo

M1.6 Nut
M1.6螺母

Servo Arm
舵机摇臂

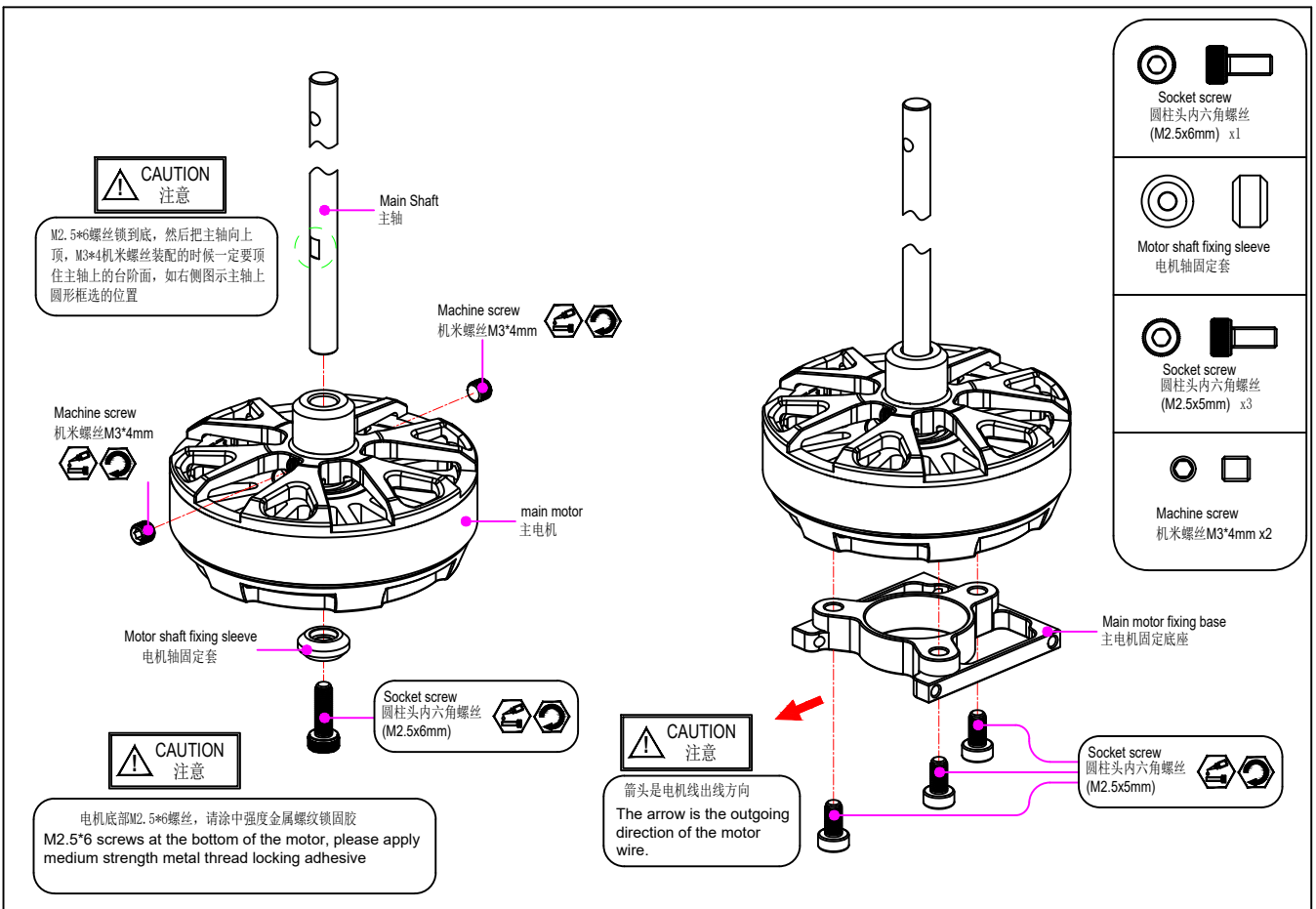
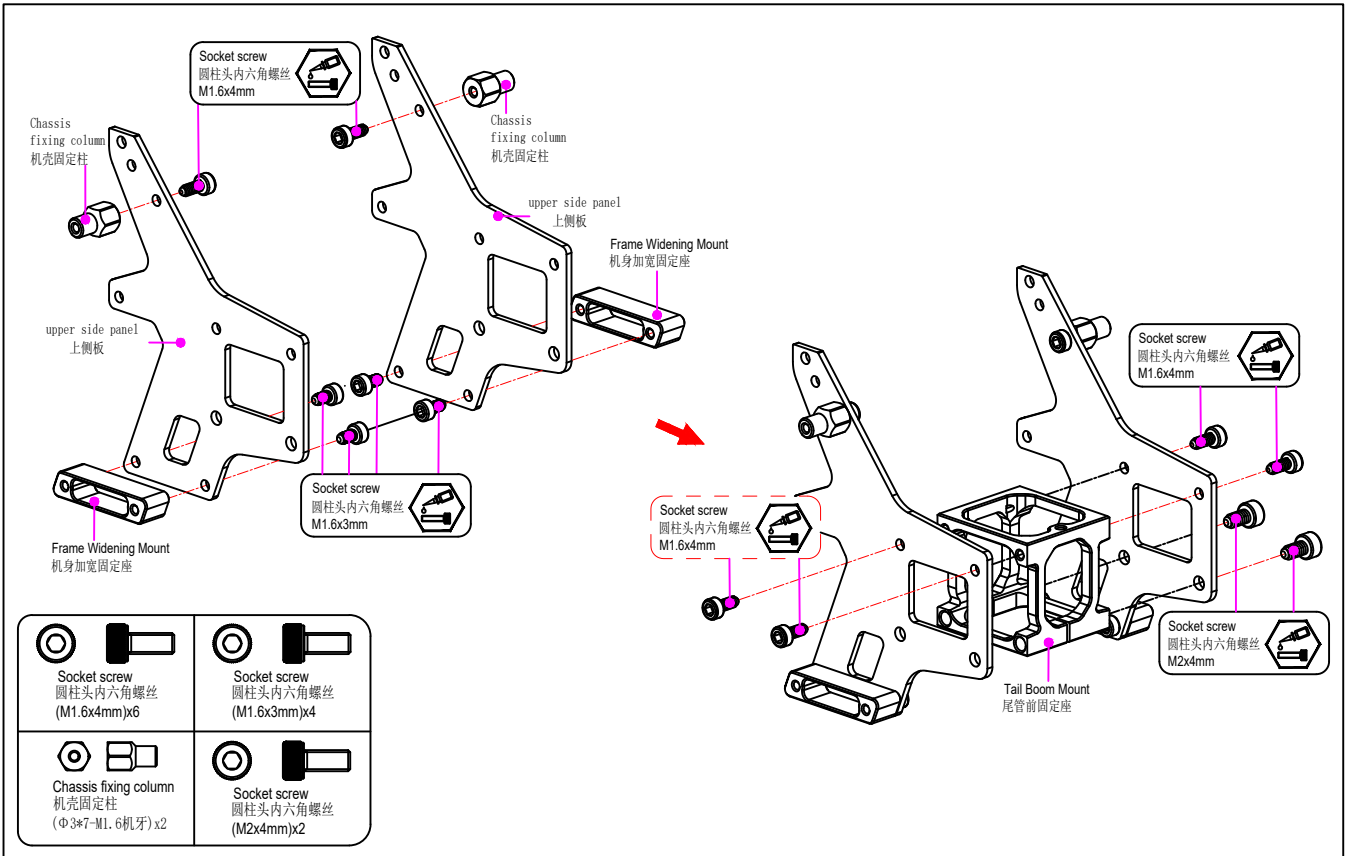
Linkage Ball
球头螺丝(Φ3.175*7.3)

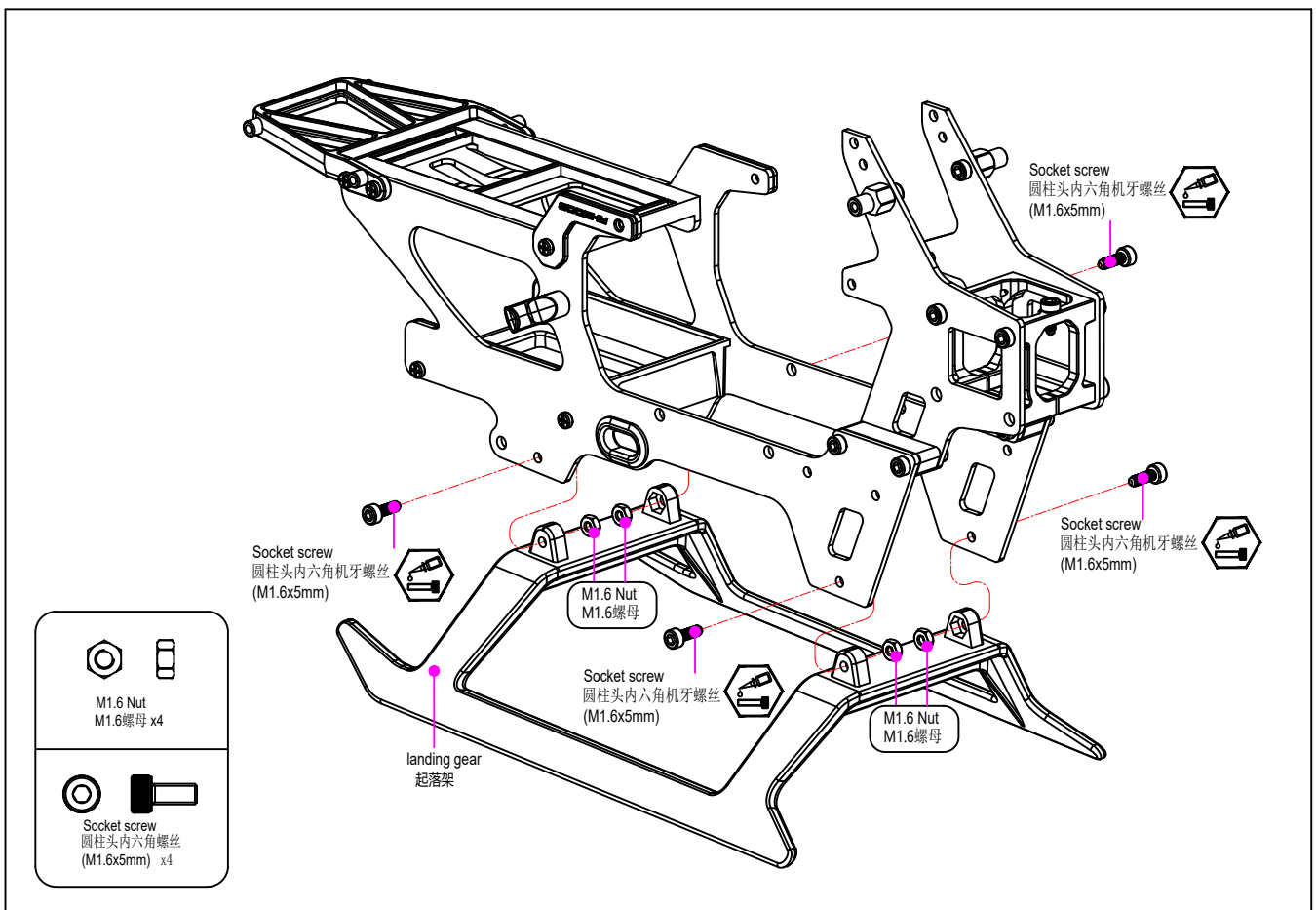
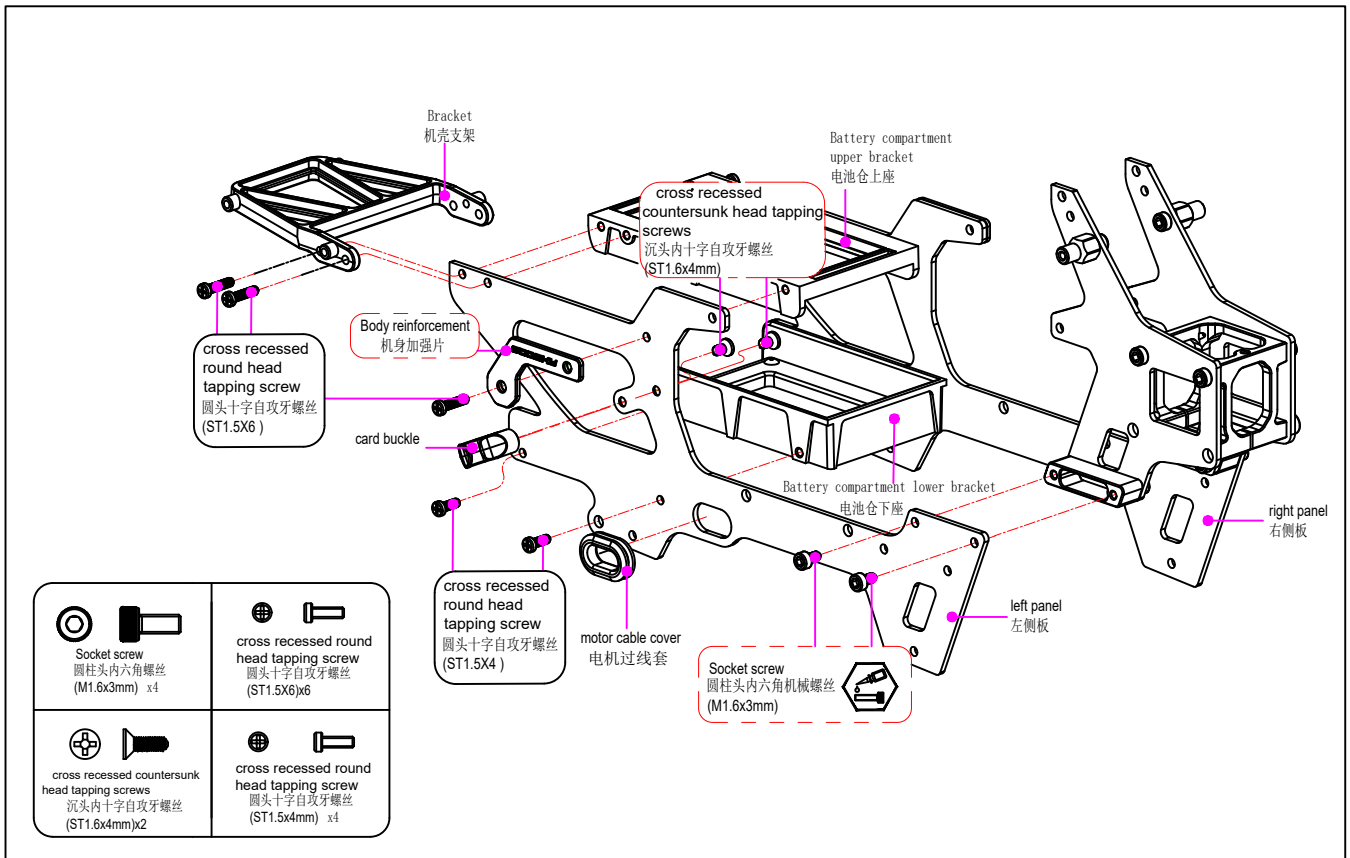
Socket screw
圆柱头内六角机械螺丝
M1.6x4mm

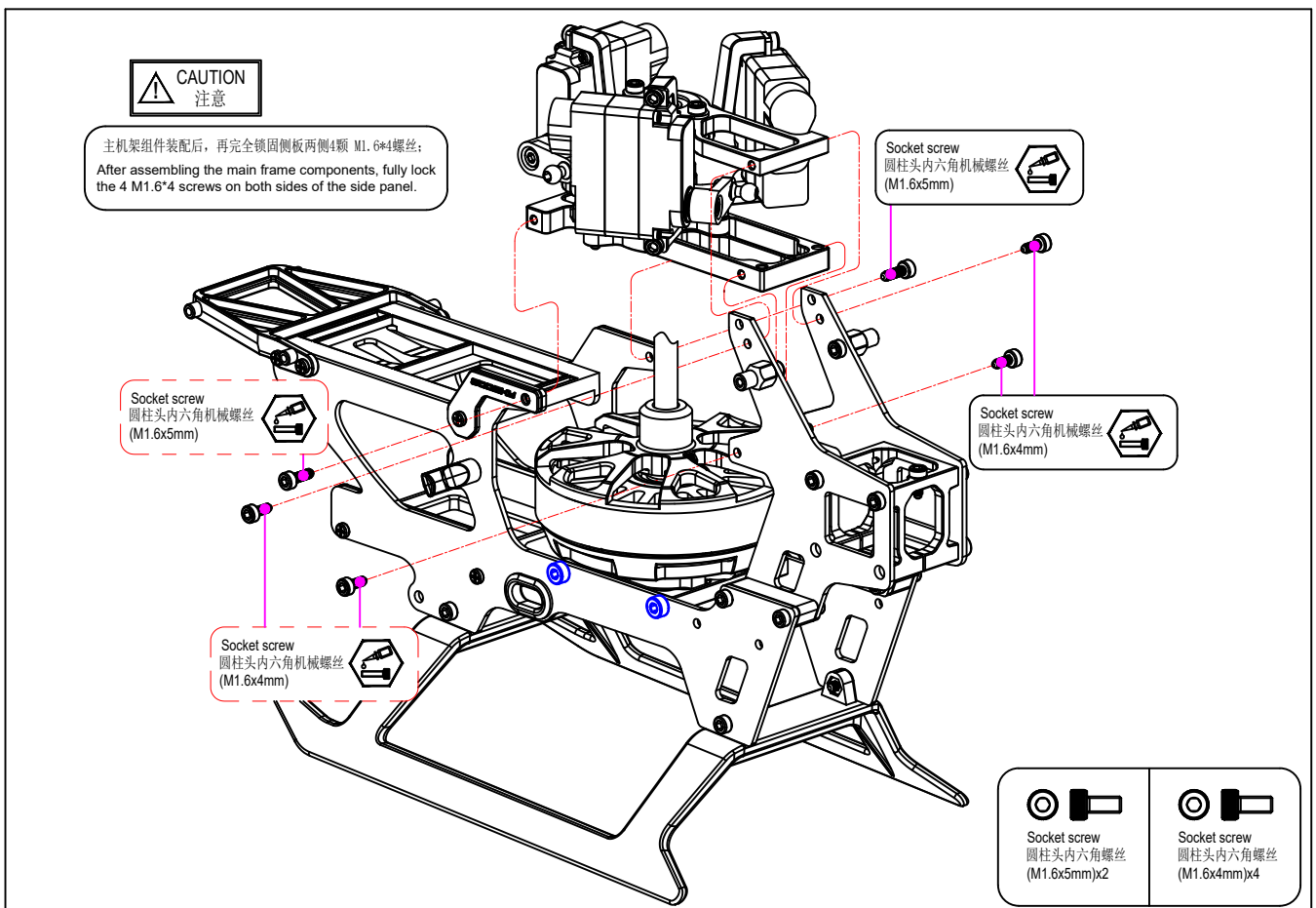
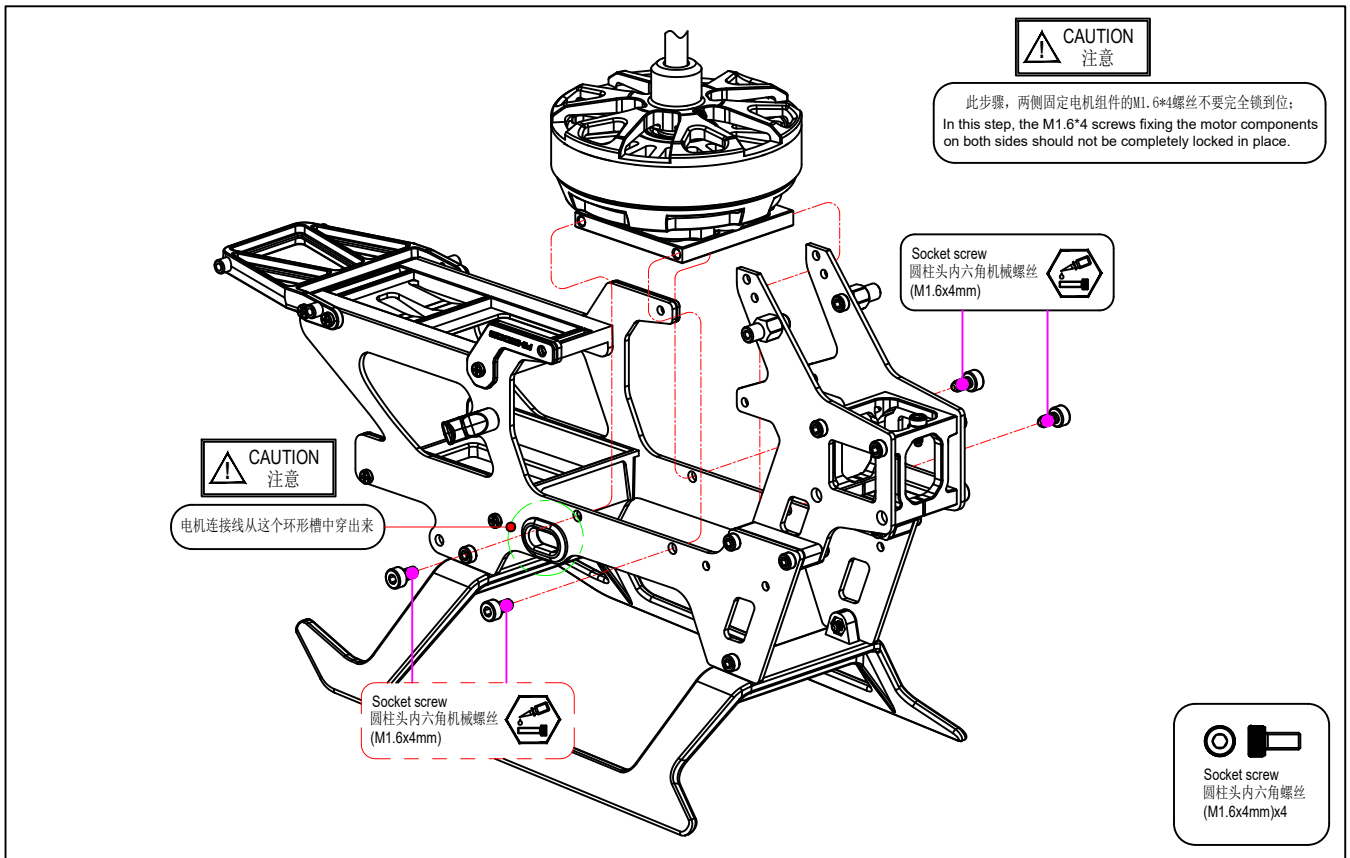
CAUTION
注意

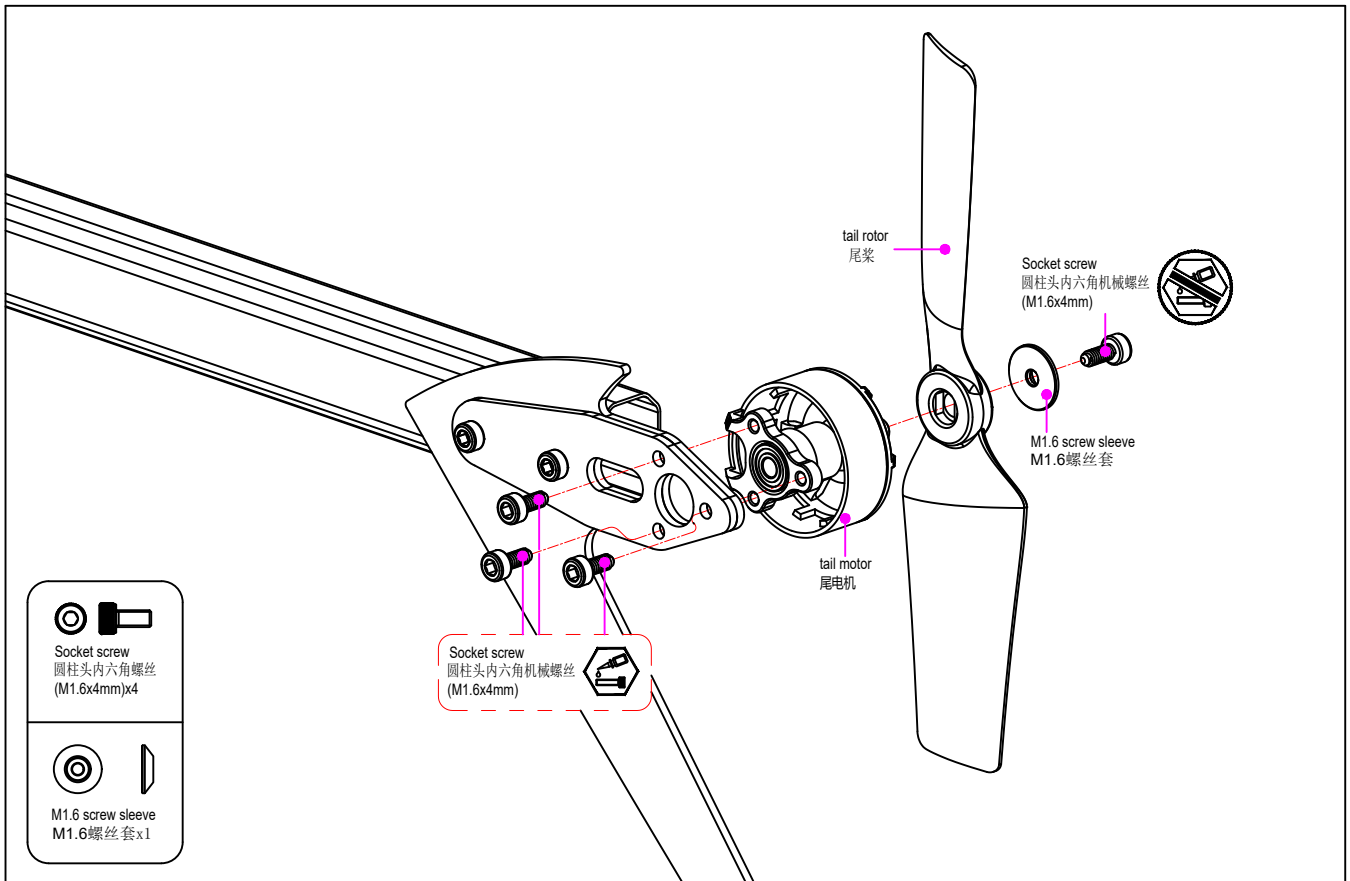
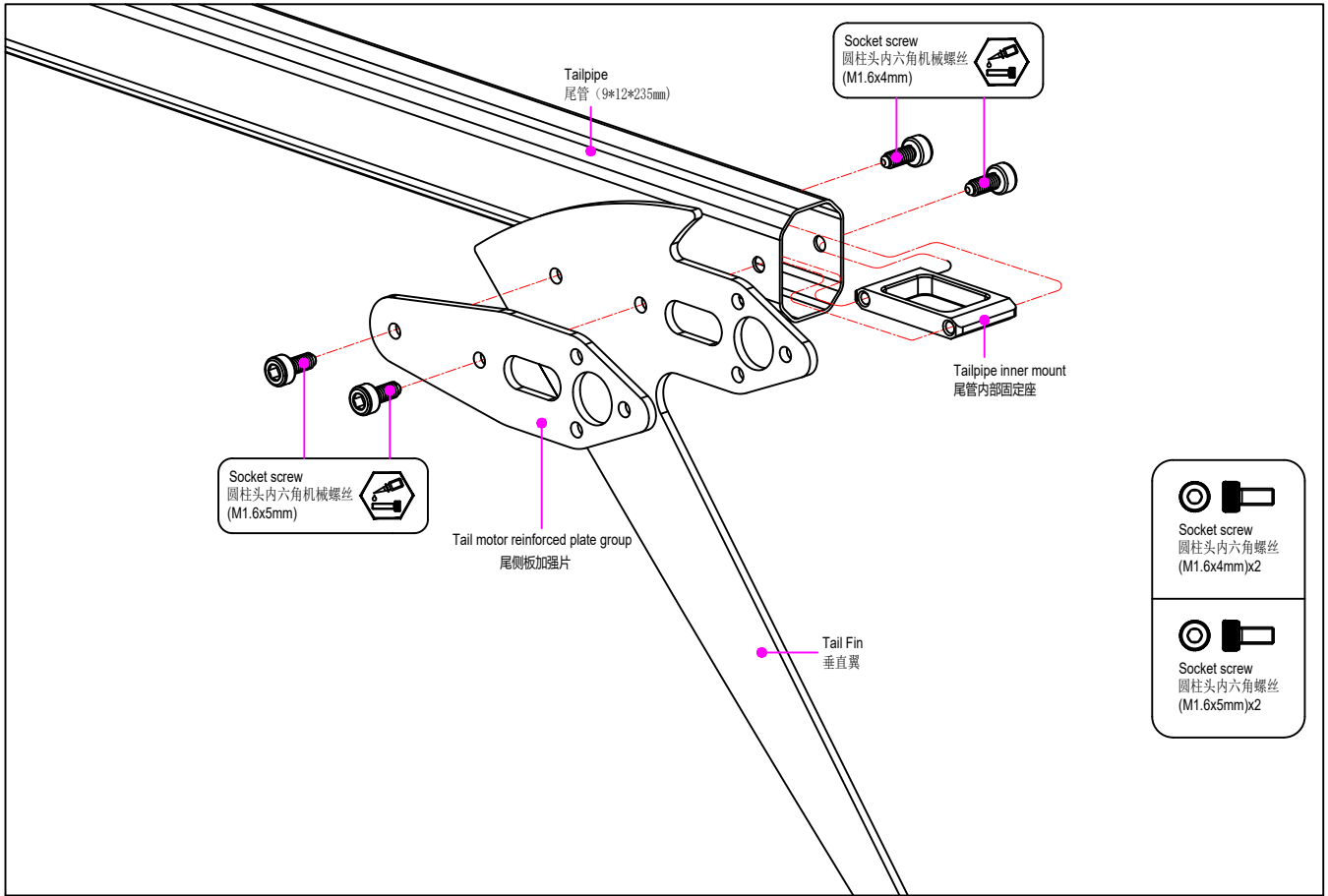
installed in the outer hole
球头螺丝装外孔

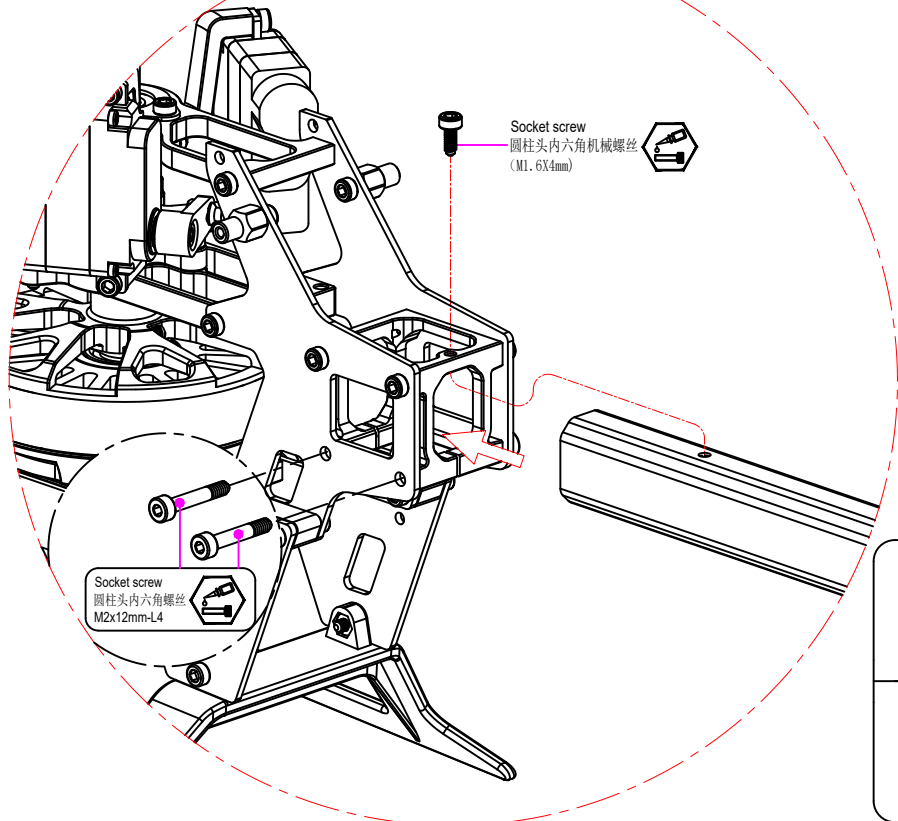
Linkage Ball 球头螺丝(Φ3.175*7.3)x3	M1.6 Nut 螺母(M1.6)x3	Socket screw 圆柱头内六角螺丝 (M1.6x4mm)x9







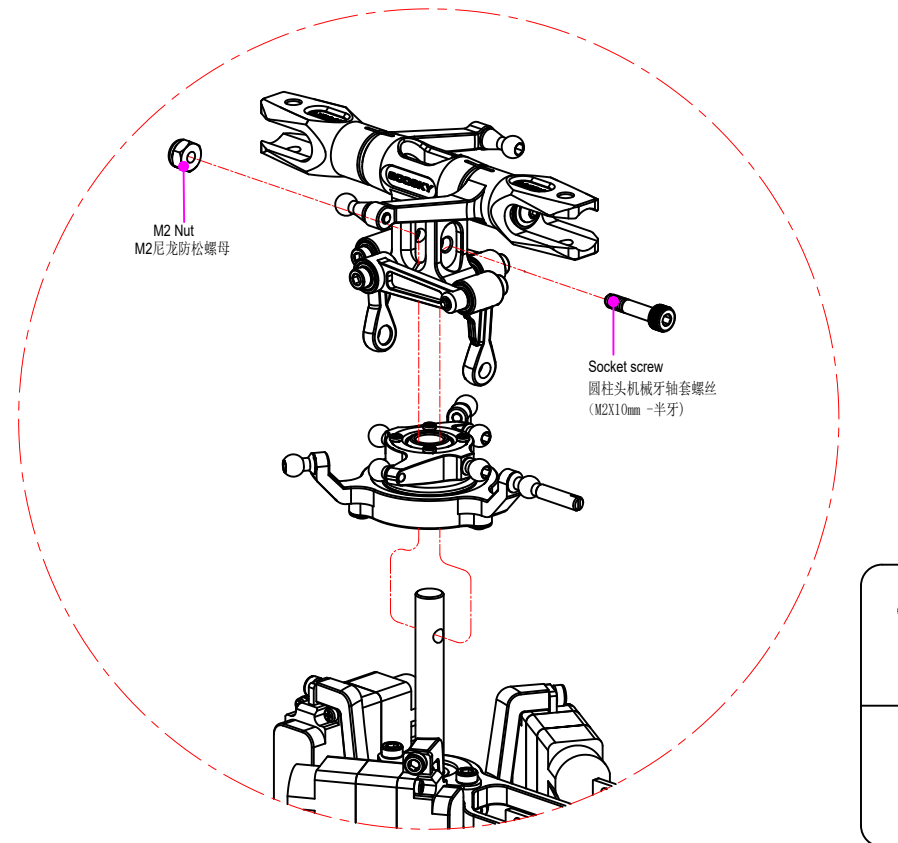




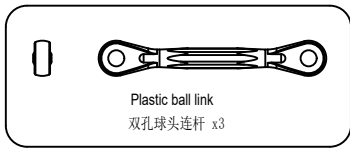
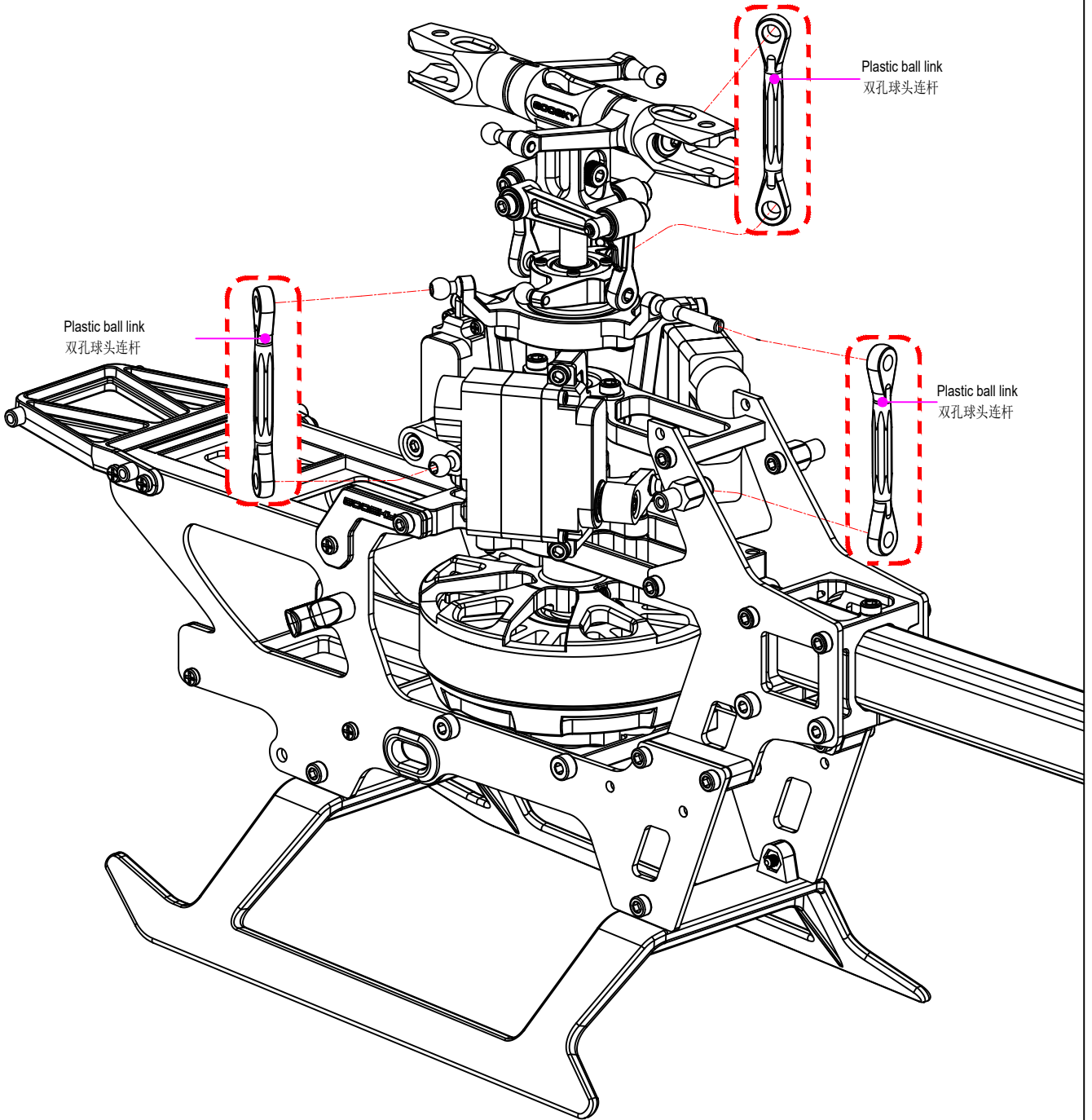


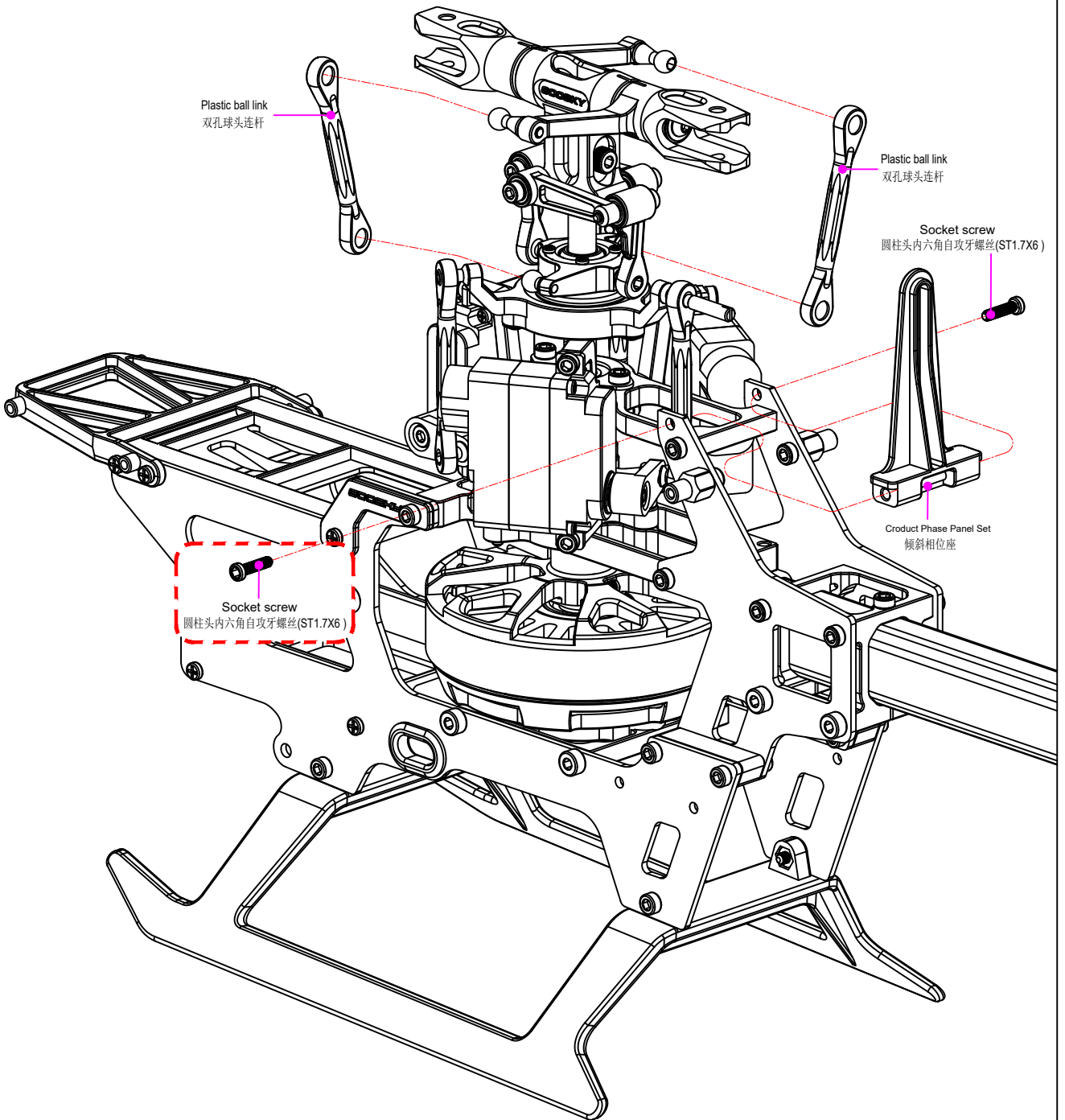





-  
Socket screw
圆柱头内六角机械螺丝
(M2x12mm-L4)x2
-  
Socket screw
圆柱头内六角机械螺丝
(M1.6X4mm)x1



-  
Socket screw
圆柱头内六角机械螺丝
(M2X10mm -半牙)x1
-  
M2 Nut
M2尼龙防松螺母 x1





		
Plastic ball link 双孔球头连杆 x2		Socket screw 圆柱头内六角自攻螺丝 (ST1.7X6)

Flight control
飞控

3M shock absorber
3M减震贴

CAUTION
注意

Note:

- 1: First, fully fit the double-sided shock-absorbing sticker to the upper seat of the battery compartment, and then install the flight controller.
- 2: The edge of the outgoing end of the flight control module is aligned with the edge of the square groove, which is on the upper seat of the bottom battery compartment (as shown in the blue line). And the left and right are centered.
- 3: The flight controller must be completely parallel to the fuselage to achieve the best flight effect.

注意:

- 1: 先将双面减震贴与电池仓上座完全贴好，再安装飞控。
- 2: 飞控模块出线端边缘和底部电池仓上座方槽边缘对齐（如图示蓝色线条位置）、且左右居中。
- 3: 飞控必须与机身完全平行，以达到最佳的飞行效果。

cross recessed mechanical
Jaw round head screw
圆头十字机械牙螺丝(M1.4X3mm)

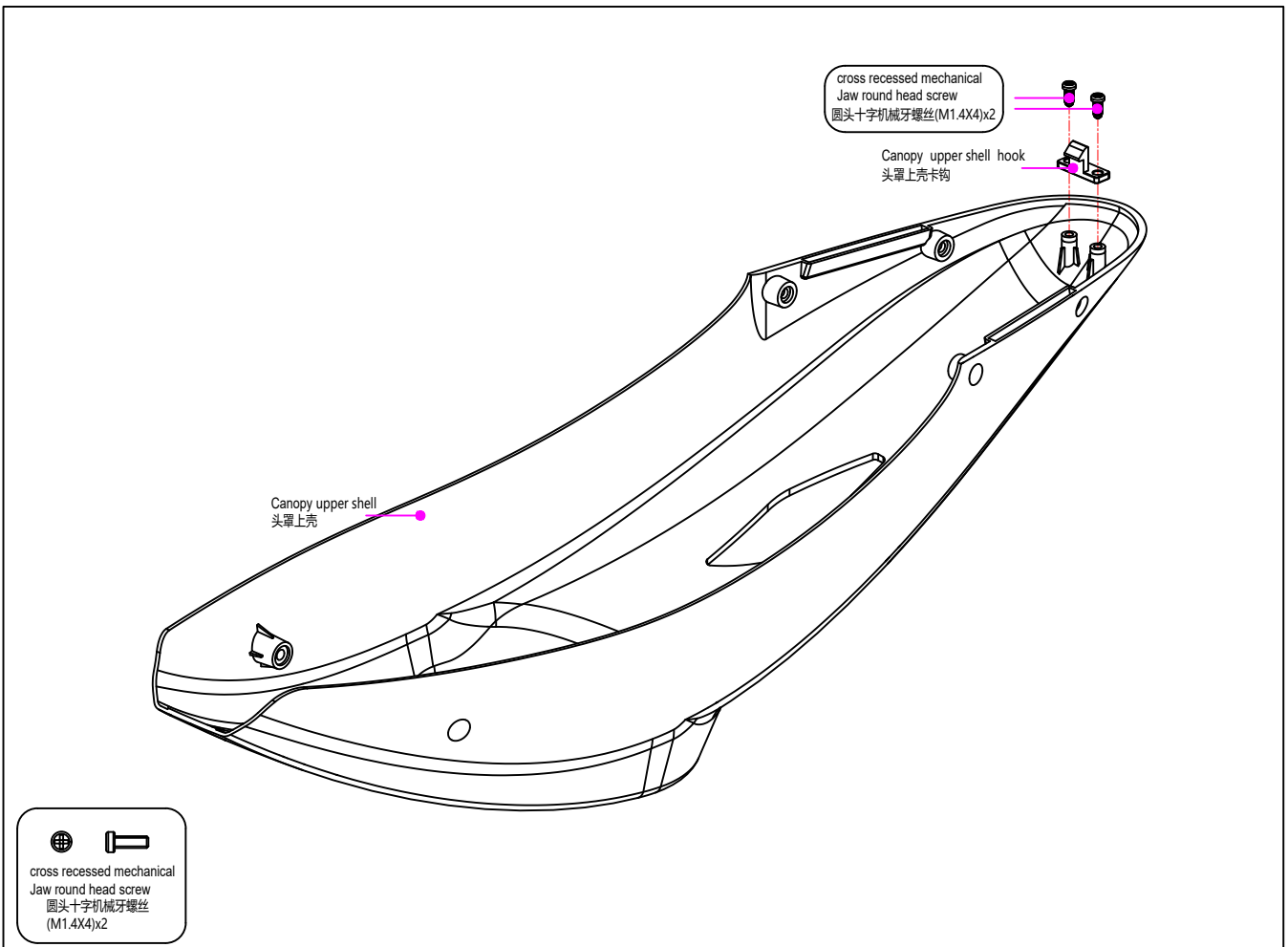
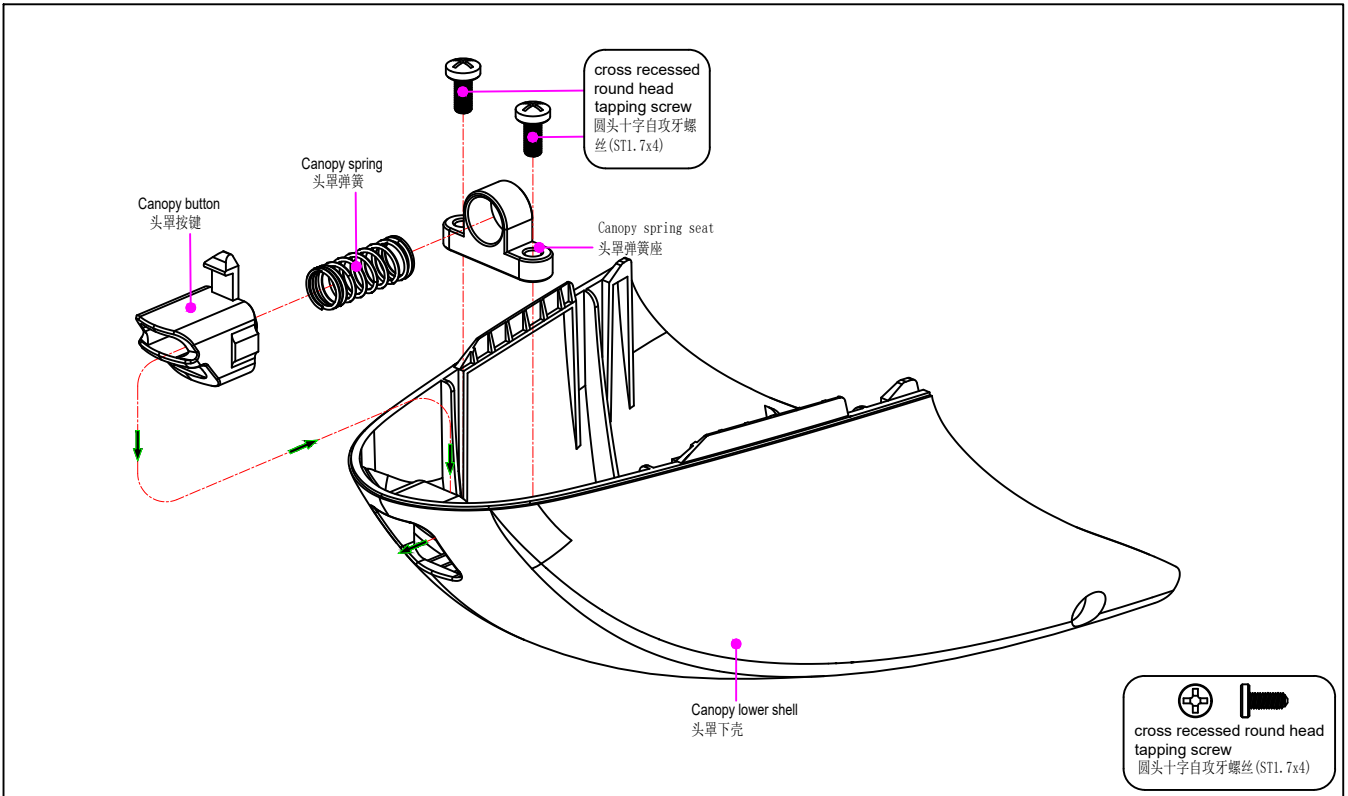
Flat bearing gasket
蝶形垫圈(Φ1.5*Φ3*0.3*0.6mm)

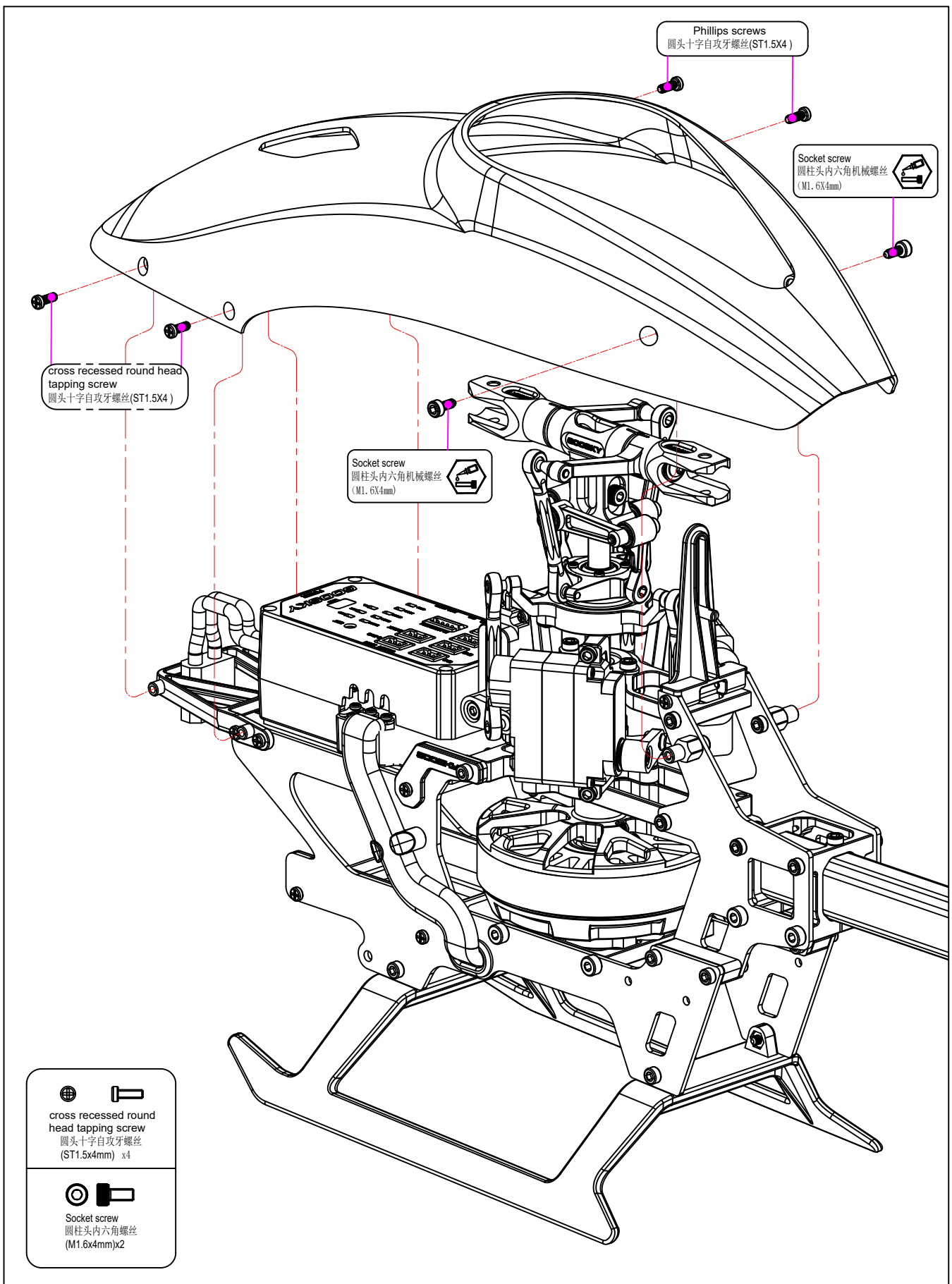
CAUTION
注意

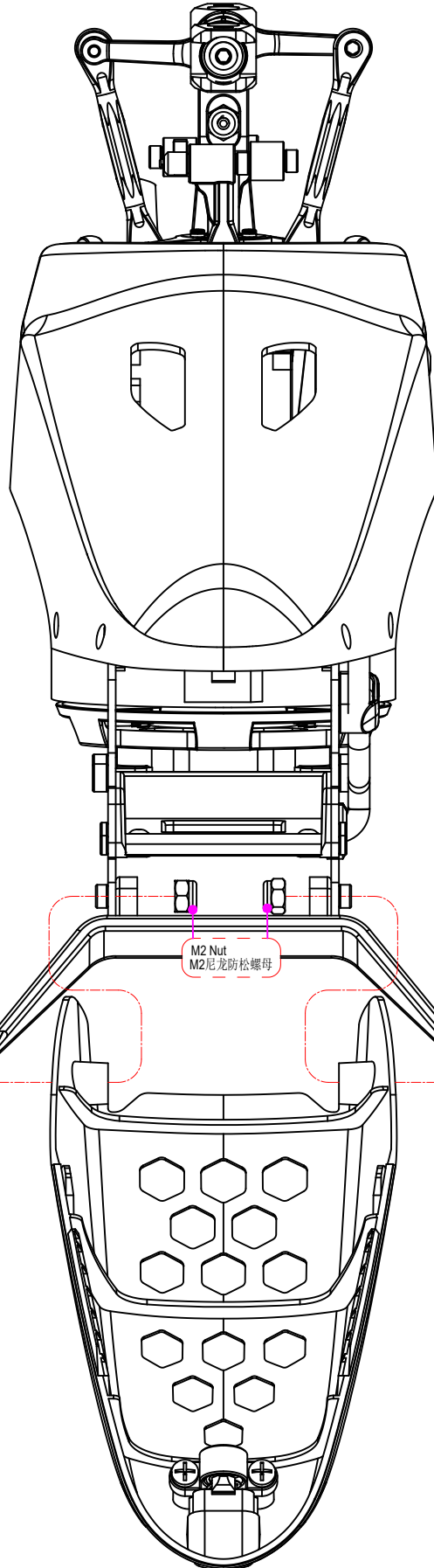
Butterfly washer assembly direction:
the large plane is downward
蝶形垫圈装配方向大平面朝下

Flat bearing gasket
蝶形垫圈
(Φ1.5*Φ3*0.3*0.6mm)x6

cross recessed mechanical
Jaw round head screw
圆头十字机械牙螺丝
(M1.4X3)x6







Socket screw
圆柱头内六角机械螺丝
(M2x6mm)



M2 Nut
M2尼龙防松螺母

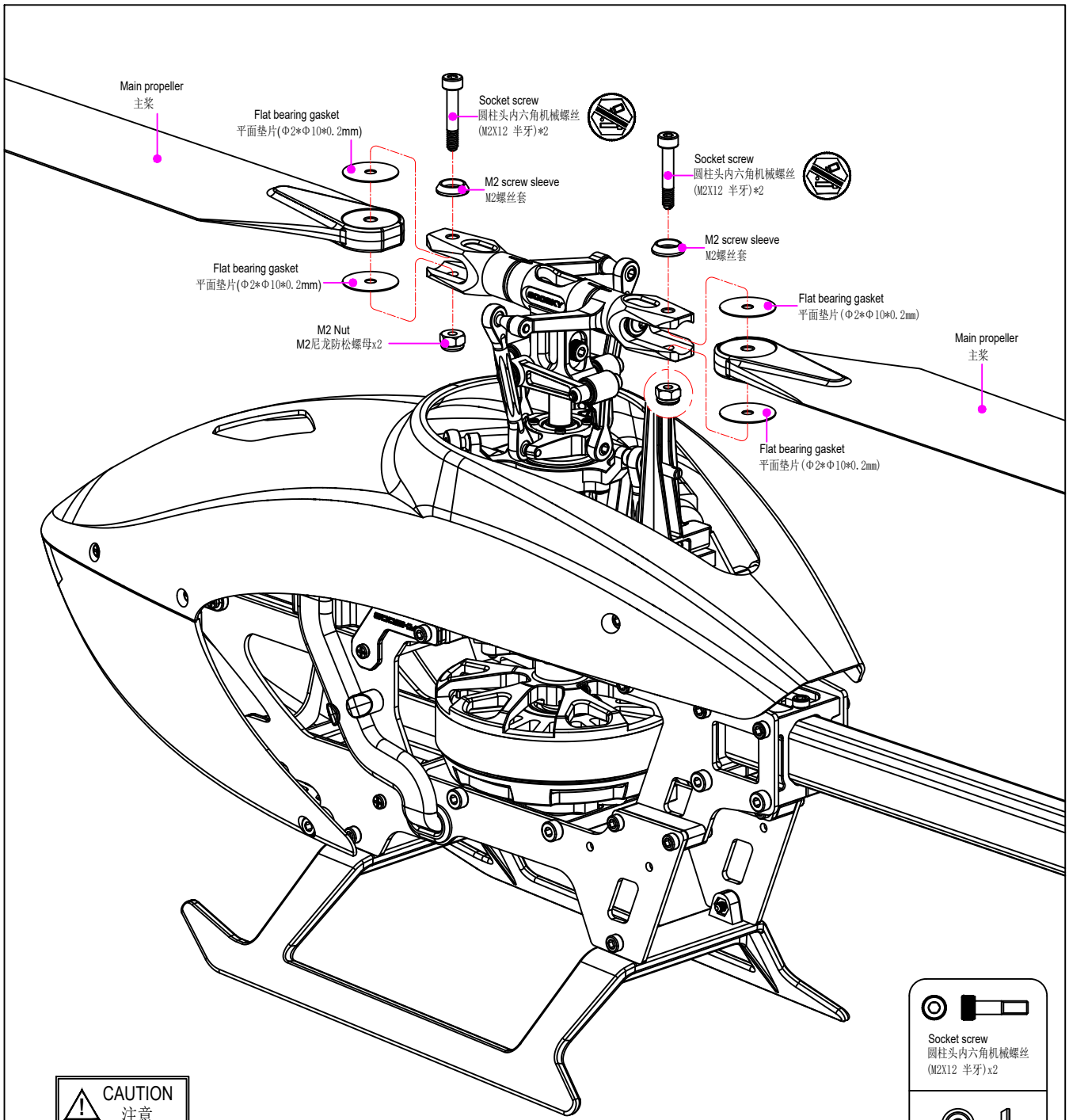
Socket screw
圆柱头内六角机械螺丝
(M2x6mm)



M2 Nut
M2尼龙防松螺母 x2



Socket screw
圆柱头内六角螺丝
(M2x6mm)x2



CAUTION
注意

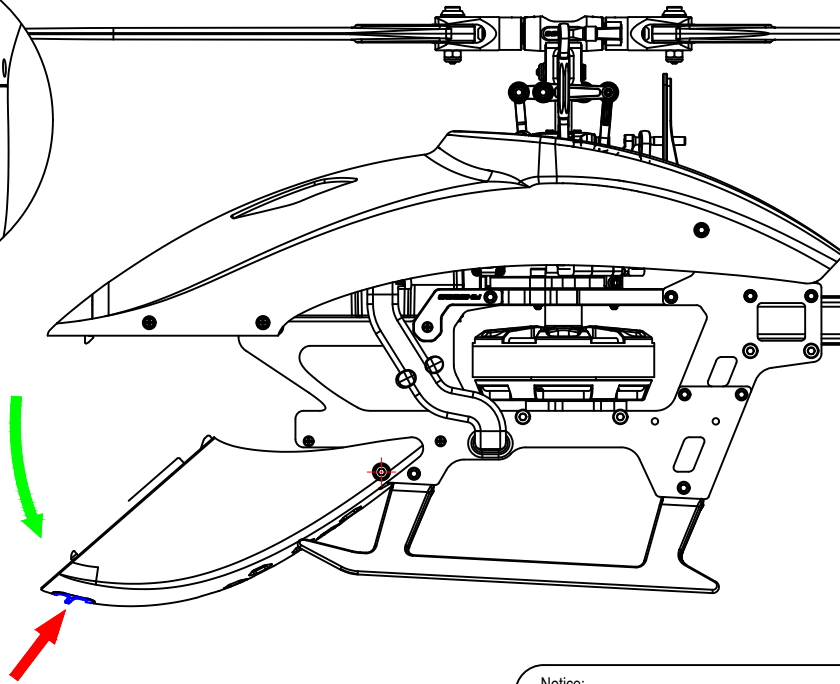
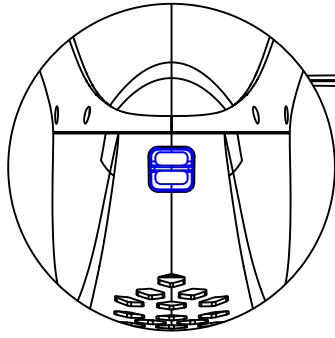
Notice:

- 1: Each group of main propellers has been selected, weighed and matched before leaving the factory. When there are multiple pairs of main propellers at the same time, multiple groups cannot be mixed and used. If the main propellers are mixed and used, it will cause the helicopter to fly unstable and abnormally vibrate, and may lose control in severe cases.
- 2: When assembling the tail rotor, the fixing screw must not be locked too tightly. After locking, the tail rotor needs to be folded by hand. It is better to have a slight damping feeling. The tightness of the two tail rotors should be the same. Inconsistent or too tight tightness will cause the body to vibrate and cause instability during flight, and may lead to loss of control in severe cases. Please be careful, and develop pre-flight inspections and regular maintenance.

注意:

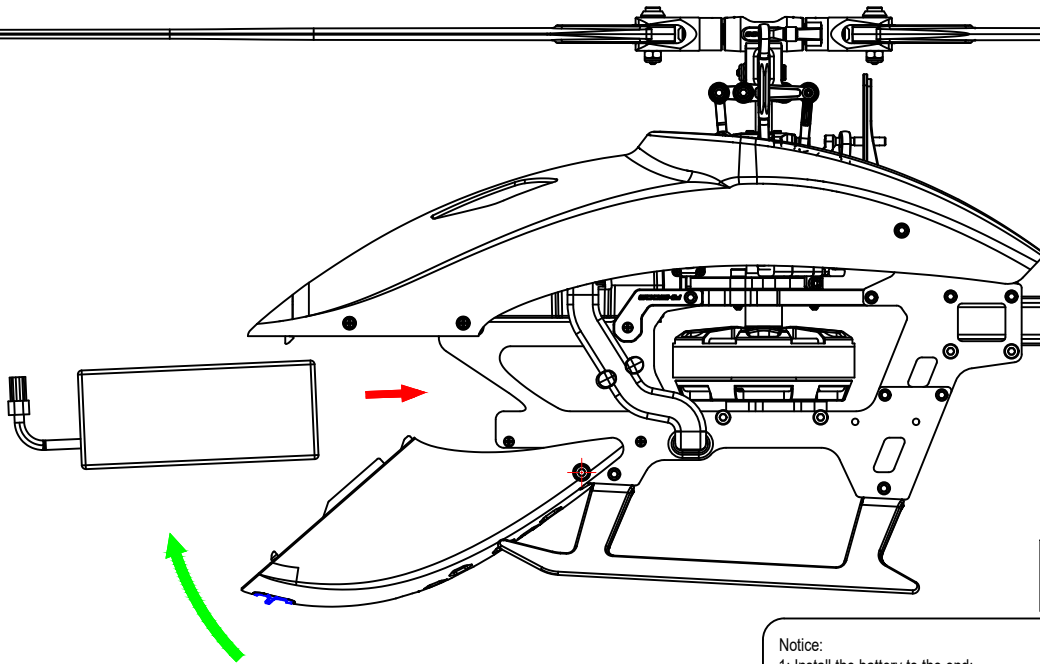
- 1: 每组主桨组, 出厂时已完成选号、称重配对, 当同时有多对主桨时, 不可多组混搭使用。主桨组若混搭使用, 会造成直升机飞行不稳异常震动, 严重的可能会失控。
- 2: 主装配时固定螺丝绝对不能锁太紧, 锁紧后需用手折动主桨, 要有轻微的阻尼感为佳, 两支主桨的紧度要一致。紧度不一致或者过紧会造成机体震动导致飞行时不稳定, 严重的可能会导致失控, 请务必小心注意, 并养成飞行前检查并定期保养。

	Socket screw 圆柱头内六角机械螺丝 (M2X12 半牙)x2
	M2 screw sleeve M2螺丝套x2
	Flat bearing gasket 平面垫片 (Φ2*Φ10*0.2mm)x4
	M2 Nut M2尼龙防松螺母 x2



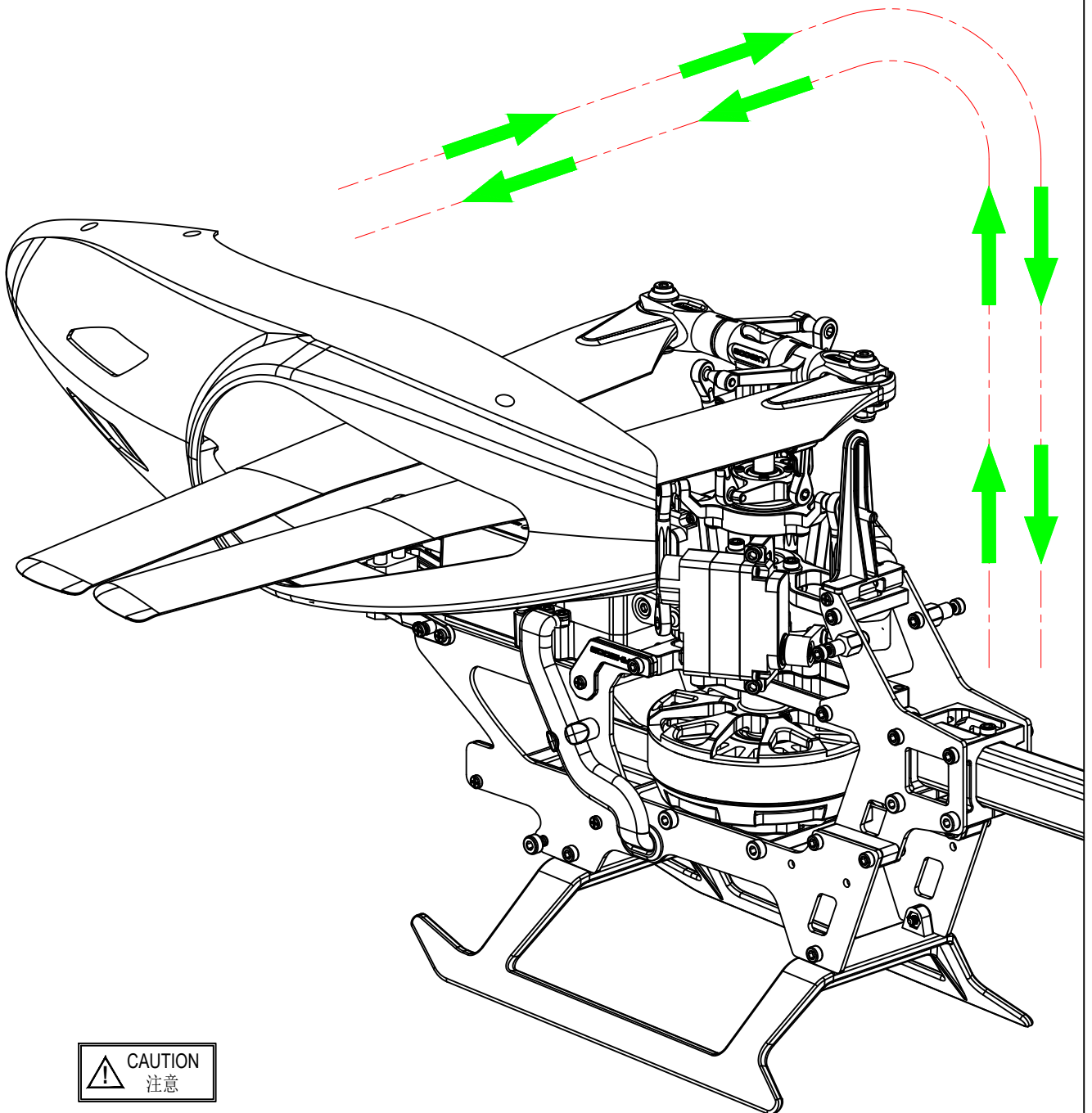
 CAUTION
注意

Notice:
1: Press the lower case button to open the lower case;
注意:
1: 按下机壳按键, 打开下机壳;



 CAUTION
注意

Notice:
1: Install the battery to the end;
2: Press and hold the lower case button, and close the case upwards to ensure that the case lock is in place;
注意:
1: 电池装到底;
2: 按下机壳按键, 向上合上机壳, 确保机壳锁扣装到位;

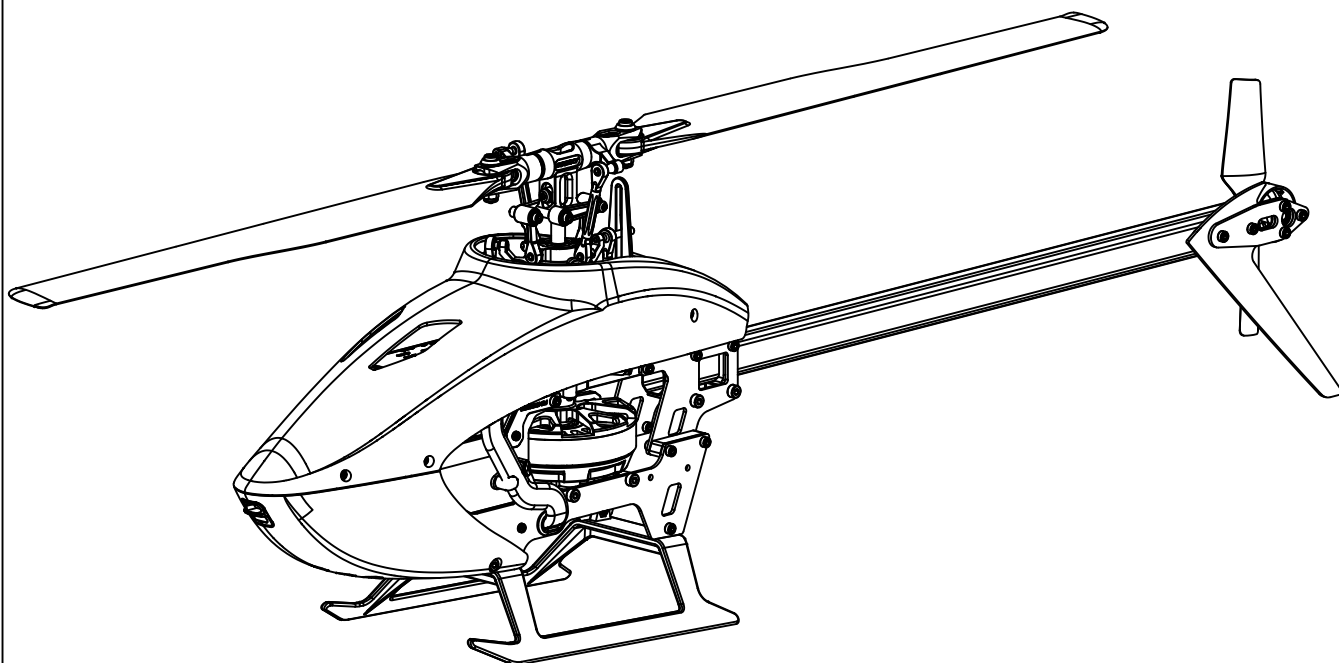


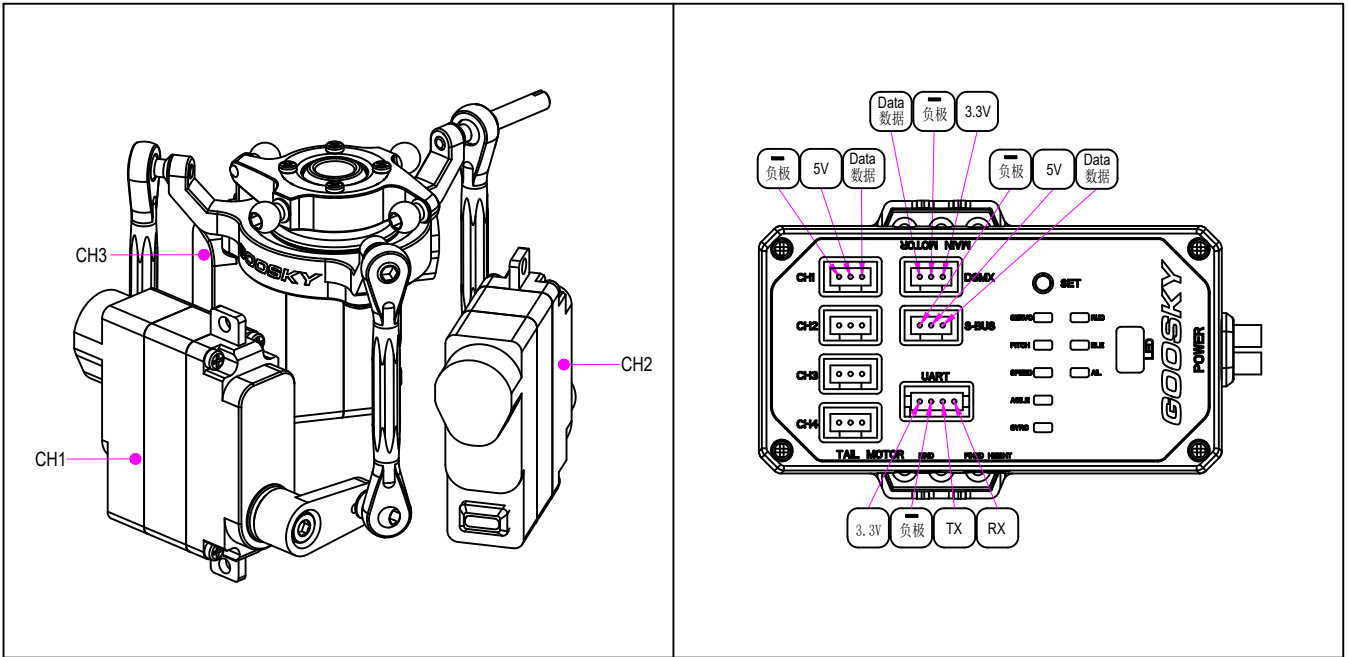
How to disassemble the upper case:

- 1: Disassemble the fixing screws on both sides.
- 2: The propeller is turned to the side of the fuselage, and the two blades are retracted.
- 3: Move the upper casing upwards and turn it 90 degrees toward the blade position, and it can be disassembled;

上机壳拆解方法:

- 1: 拆解两侧的固定螺丝。
- 2: 螺旋桨转到机身侧面，两支桨叶收起来。
- 3: 上机壳向上移动，朝着桨叶位置转90度，就可以拆解下来了；



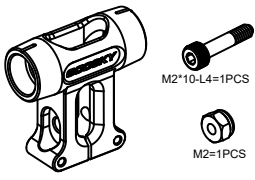

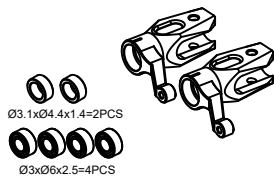
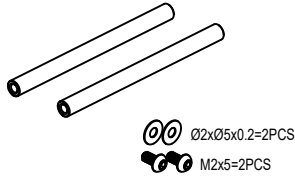


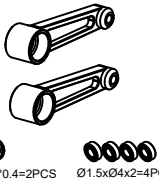
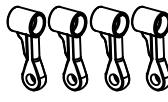

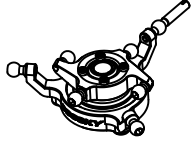
Flight Parameter Setting Introduction
飞行参数设置说明

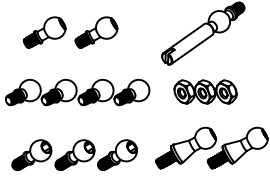
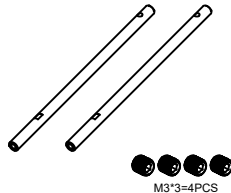
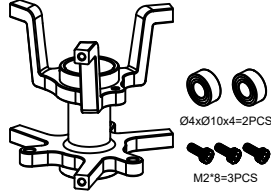

General Flight Mode 一般飞行模式			
Throttle 油门		Screw Pitch 螺距	
5	60	100	11.5°
4	60	65	5.5°
3	60	15	1.8°
2	60	-5	-0.6°
1	0	-20	-2.4°


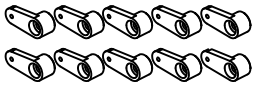
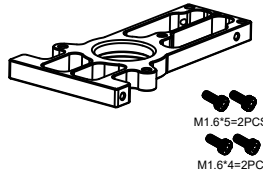
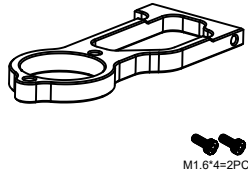
IDLE 1 Mode IDLE 1模式			
Throttle 油门		Screw Pitch 螺距	
5	65	100	11.5°
4	65	50	5.5°
3	65	5	0.6°
2	65	-50	-5.5°
1	65	-100	-11.5°

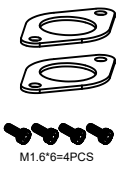



IDLE 2 Mode IDLE 2模式			
Throttle 油门		Screw Pitch 螺距	
5	73	100	11.5°
4	73	50	5.5°
3	73	0	0°
2	73	-50	-5.5°
1	73	-100	-11.5°

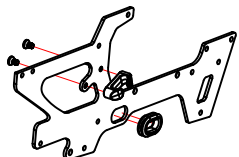
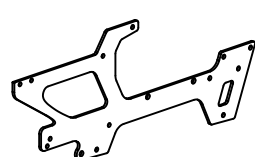

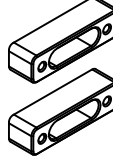
<p>Model: SPH000001 配件编号: SPH000001 Product name: Main rotorhousing set 配件名称: 主轴中心座组</p> <p>Package: Hang tag +PE bag 包装方式: 吊卡+PE袋</p> <p>适用机型: RS2 S2</p> <p>M2*10-L4=1PCS M2=1PCS</p> 	<p>Model: SPH000002 配件编号: SPH000002 Product name: Damper Rubber 配件名称: 横轴减震套组</p> <p>Package: Hang tag +PE bag 包装方式: 吊卡+PE袋</p> <p>单品: 8PCS 适用机型: RS2 S2</p> 	<p>Model: SPH000003 配件编号: SPH000003 Product name: Rotor Holder Set 配件名称: 主架夹组</p> <p>Package: Hang tag +PE bag 包装方式: 吊卡+PE袋</p> <p>压好轴承 适用机型: RS2 S2</p> <p>Ø3.1xØ4.4x1.4=2PCS Ø3xØ6x2.5=4PCS</p> 	<p>Model: SPH000004 配件编号: SPH000004 Product name: Feathering Shaft Set 配件名称: 横轴组</p> <p>Package: Hang tag +PE bag 包装方式: 吊卡+PE袋</p> <p>适用机型: RS2 S2</p> <p>Ø2xØ5x0.2=2PCS M2x5=2PCS</p> 
---	---	--	--

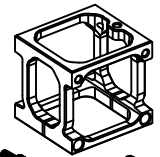
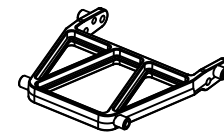
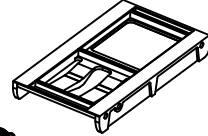
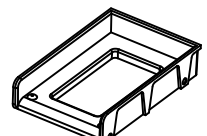
<p>Model: SPH000005 配件编号: SPH000005 Product name: FBL Pros and Cons linkage rod 配件名称: FBL控制臂组</p> <p>Package: Hang tag +PE bag 包装方式: 吊卡+PE袋</p> <p>压好轴承 适用机型: RS2 S2</p> <p>Ø1.5*Ø2.8*0.4=2PCS Ø1.5xØ4x2=4PCS</p> 	<p>Model: SPH000006 配件编号: SPH000006 Product name: Tilting Inner Dribbling Ball Head Set 配件名称: 倾斜内盘球头座组</p> <p>Package: Hang tag +PE bag 包装方式: 吊卡+PE袋</p> <p>单品: 4PCS 适用机型: RS2 S2</p> 	<p>Model: SPH000007 配件编号: SPH000007 Product name: Thrust bearing set 配件名称: 推力轴承组</p> <p>Package: Hang tag +PE bag 包装方式: 吊卡+PE袋</p> <p>单品: 2PCS 适用机型: RS2 S2</p> 	<p>Model: SPH000008 配件编号: SPH000008 Product name: Swashplate Set 配件名称: 倾斜盘</p> <p>Package: Hang tag +PE bag 包装方式: 吊卡+PE袋</p> <p>适用机型: RS2 S2</p> 
---	---	--	--

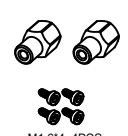
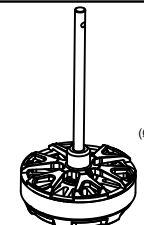
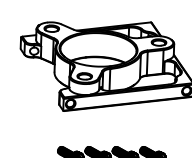
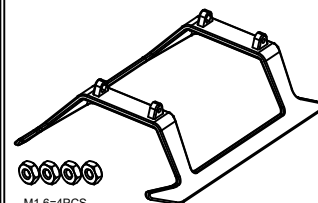
<p>Model: SPH000009 配件编号: SPH000009 Product name: Ball Joint set 配件名称: 球头组</p> <p>Package: Hang tag +PE bag 包装方式: 吊卡+PE袋</p> <p>适用机型: RS2 S2</p> 	<p>Model: SPH000010 配件编号: SPH000010 Product name: Main Shaft Set 配件名称: 主轴组</p> <p>Package: Hang tag +PE bag 包装方式: 吊卡+PE袋</p> <p>适用机型: RS2 S2</p> <p>M3*3=4PCS</p> 	<p>Model: SPH000011 配件编号: SPH000011 Product name: Servo bracket set 配件名称: 舵机支架组</p> <p>Package: Hang tag +PE bag 包装方式: 吊卡+PE袋</p> <p>压好轴承 适用机型: RS2 S2</p> <p>Ø4xØ10x4=2PCS M2*8=3PCS</p> 	<p>Model: SPH000012 配件编号: SPH000012 Product name: Double hole ball joint set 配件名称: 双孔球头连杆</p> <p>Package: Hang tag +PE bag 包装方式: 吊卡+PE袋</p> <p>单品: 5PCS 适用机型: RS2 S2</p> 
--	---	--	--

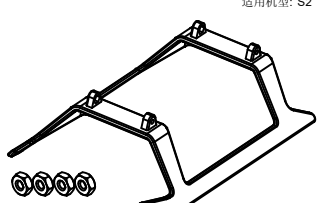
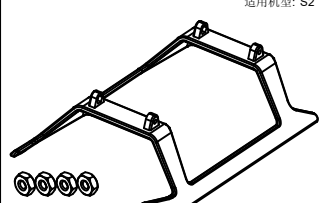
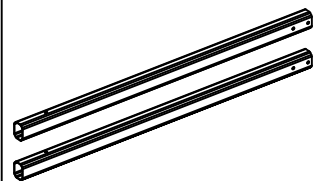
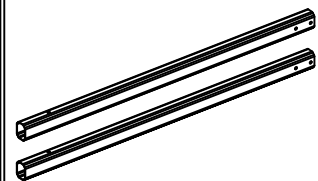
<p>Model: SPH000013 配件编号: SPH000013 Product name: S2 Semi-Metal Shell Servo 配件名称: S2半金属舵机</p> <p>Package: Hang tag +PE bag 包装方式: 吊卡+PE袋</p> <p>适用机型: S2</p> <p>1SET Ø3.175x7.3-M1.6=1PCS M1.6=1PCS M1.6*4=2PCS</p> 	<p>Model: SPH000014 配件编号: SPH000014 Product name: Servo swing arm 配件名称: 舵机摆臂</p> <p>Package: Hang tag +PE bag 包装方式: 吊卡+PE袋</p> <p>单品: 10PCS 适用机型: RS2 S2</p> 	<p>Model: SPH000015 配件编号: SPH000015 Product name: Main Board 配件名称: 主板</p> <p>Package: Hang tag +PE bag 包装方式: 吊卡+PE袋</p> <p>适用机型: RS2 S2</p> <p>M1.6*5=2PCS M1.6*4=2PCS</p> 	<p>Model: SPH000016 配件编号: SPH000016 Product name: Second floor Board 配件名称: 二楼板</p> <p>Package: Hang tag +PE bag 包装方式: 吊卡+PE袋</p> <p>适用机型: RS2 S2</p> <p>M1.6*4=2PCS</p> 
--	--	---	---

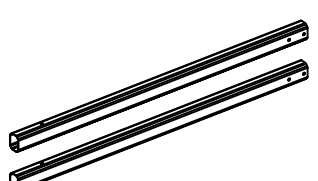
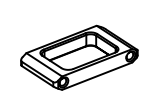


<p>Model: SPH000017 配件编号: SPH000017 Product name: Bearing limit carbon plate 配件名称: 轴承限位碳板</p> <p>Package: Hang tag +PE bag 包装方式: 吊卡+PE袋</p> <p>适用机型: RS2 S2</p> <p>M1.6*6=4PCS</p> 	<p>Model: SPH000018 配件编号: SPH000018 Product name: Body Reinforcement Plate 配件名称: 机身加强片</p> <p>Package: Hang tag +PE bag 包装方式: 吊卡+PE袋</p> <p>适用机型: RS2 S2</p> 	<p>Model: SPH000019 配件编号: SPH000019 Product name: Tilt Phase Block 配件名称: 倾斜相位座</p> <p>Package: Hang tag +PE bag 包装方式: 吊卡+PE袋</p> <p>适用机型: RS2 S2</p> <p>ST1.7*6=2PCS</p> 	<p>Model: SPH000020 配件编号: SPH000020 Product name: Ball bearing set (681X) 配件名称: 滚珠轴承组(681X)</p> <p>Package: Hang tag +PE bag 包装方式: 吊卡+PE袋</p> <p>单品: 8PCS 适用机型: RS2 S2</p> <p>Ø1.5*Ø4*2mm=8PCS</p> 
--	--	--	--

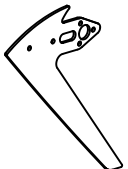
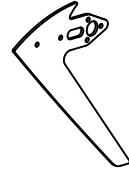
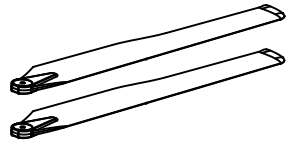
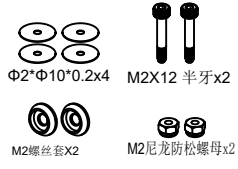
<p>Model: SPH000021 Package: Hang tag +PE bag 配件编号: SPH000021 包装方式: 吊卡+PE袋 Product name: Left Panel Set 配件名称: 左侧板组</p> <p>适用机型: RS2 S2</p> 	<p>Model: SPH000022 Package: Hang tag +PE bag 配件编号: SPH000022 包装方式: 吊卡+PE袋 Product name: Right side plate set 配件名称: 右侧板组</p> <p>适用机型: RS2 S2</p> 	<p>Model: SPH000023 Package: Hang tag +PE bag 配件编号: SPH000023 包装方式: 吊卡+PE袋 Product name: Upper side panel 配件名称: 上侧板</p> <p>单品 2PCS 适用机型: RS2 S2</p> 	<p>Model: SPH000024 Package: Hang tag +PE bag 配件编号: SPH000024 包装方式: 吊卡+PE袋 Product name: Body widening fixed seat set 配件名称: 机身加宽固定座组</p> <p>单品 2PCS 适用机型: RS2 S2</p>  <p>M1.6*3=4PCS</p>
---	---	---	--


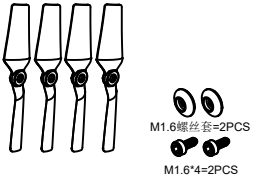
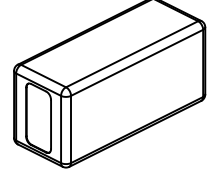
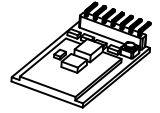
<p>Model: SPH000025 Package: Hang tag +PE bag 配件编号: SPH000025 包装方式: 吊卡+PE袋 Product name: Tail Rod front fixing seat set 配件名称: 尾杆前固定座组</p> <p>适用机型: RS2 S2</p>  <p>M1.6*4=5PCS M2*4=2PCS M2*12=2PCS</p>	<p>Model: SPH000026 Package: Hang tag +PE bag 配件编号: SPH000026 包装方式: 吊卡+PE袋 Product name: Chassis bracket 配件名称: 机壳支架</p> <p>适用机型: RS2 S2</p> 	<p>Model: SPH000027 Package: Hang tag +PE bag 配件编号: SPH000027 包装方式: 吊卡+PE袋 Product name: Battery compartment upper seat 配件名称: 电池仓上座</p> <p>适用机型: RS2 S2</p>  <p>ST1.5*6=6PCS</p>	<p>Model: SPH000028 Package: Hang tag +PE bag 配件编号: SPH000028 包装方式: 吊卡+PE袋 Product name: Lower battery compartment 配件名称: 电池仓下座</p> <p>适用机型: RS2 S2</p>  <p>ST1.5*4=4PCS</p>
--	--	---	---

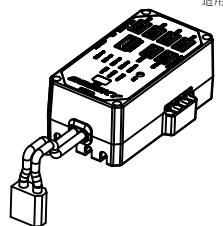
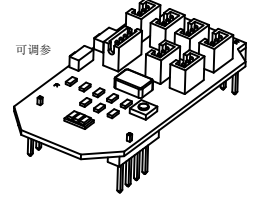
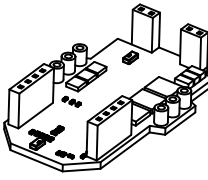
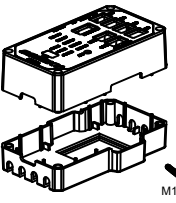
<p>Model: SPH000029 Package: Hang tag +PE bag 配件编号: SPH000029 包装方式: 吊卡+PE袋 Product name: Canopy fixing column 配件名称: 机壳固定柱</p> <p>适用机型: RS2 S2</p>  <p>M1.6*4=4PCS</p>	<p>Model: SPH000030 Package: Hang tag +PE bag 配件编号: SPH000030 包装方式: 吊卡+PE袋 Product name: Main motor 配件名称: 主电机</p> <p>适用机型: S2</p>  <p>(Ø1.5*Ø3*0.3*0.6mm)=3PCS M2.5*5=3PCS</p>	<p>Model: SPH000031 Package: Hang tag +PE bag 配件编号: SPH000031 包装方式: 吊卡+PE袋 Product name: Main motor fixing base 配件名称: 主电机固定底座</p> <p>适用机型: RS2 S2</p>  <p>M1.6*4=4PCS</p>	<p>Model: SPH000032 Package: Hang tag +PE bag 配件编号: SPH000032 包装方式: 吊卡+PE袋 Product name: Landing Skid (Red) 配件名称: 脚架组-红</p> <p>适用机型: S2</p>  <p>M1.6=4PCS</p>
---	--	--	---

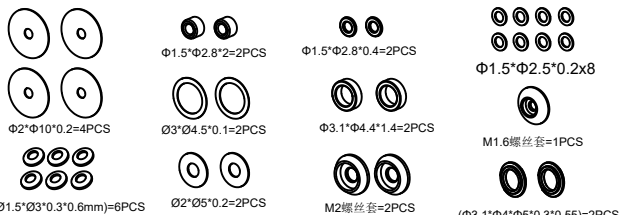
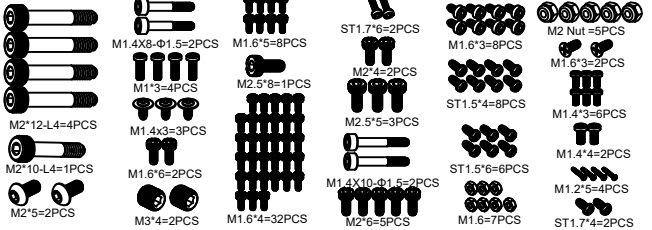
<p>Model: SPH000033 Package: Hang tag +PE bag 配件编号: SPH000033 包装方式: 吊卡+PE袋 Product name: Landing Skid (green) 配件名称: 脚架组-绿</p> <p>适用机型: S2</p>  <p>M1.6=4PCS</p>	<p>Model: SPH000034 Package: Hang tag +PE bag 配件编号: SPH000034 包装方式: 吊卡+PE袋 Product name: Landing Skid (blue) 配件名称: 脚架组-蓝</p> <p>适用机型: S2</p>  <p>M1.6=4PCS</p>	<p>Model: SPH000035 Package: Hang tag +PE bag 配件编号: SPH000035 包装方式: 吊卡+PE袋 Product name: Tail Boom set - red 配件名称: 双直尾管-红</p> <p>适用机型: S2</p> 	<p>Model: SPH000036 Package: Hang tag +PE bag 配件编号: SPH000036 包装方式: 吊卡+PE袋 Product name: Tail Boom set - green 配件名称: 双直尾管-绿</p> <p>适用机型: S2</p> 
---	--	---	--


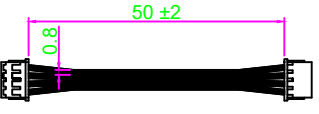
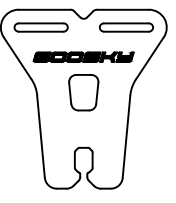
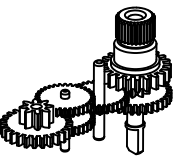
<p>Model: SPH000037 Package: Hang tag +PE bag 配件编号: SPH000037 包装方式: 吊卡+PE袋 Product name: Tail Boom set - blue 配件名称: 双直尾管-蓝</p> <p>适用机型: S2</p> 	<p>Model: SPH000038 Package: Hang tag +PE bag 配件编号: SPH000038 包装方式: 吊卡+PE袋 Product name: Tail Rod Inner Mount 配件名称: 尾杆内部固定座</p> <p>适用机型: RS2 S2</p> 	<p>Model: SPH000039 Package: Hang tag +PE bag 配件编号: SPH000039 包装方式: 吊卡+PE袋 Product name: Tail side panel reinforcement 配件名称: 尾侧板加强片</p> <p>适用机型: S2</p> 	<p>Model: SPH000040 Package: Hang tag +PE bag 配件编号: SPH000040 包装方式: 吊卡+PE袋 Product name: vertical wing-Red 配件名称: 垂直翼-红</p> <p>适用机型: S2</p>  <p>M1.6*5=2PCS</p>
---	--	---	--

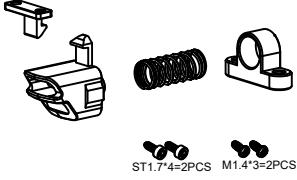
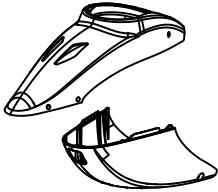
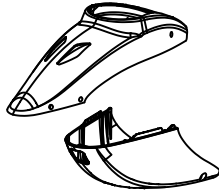
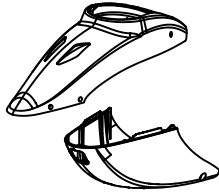
Model: SPH000041 Package: Hang tag +PE bag 配件编号: SPH000041 包装方式: 吊卡+PE袋 Product name: vertical wing-Green 配件名称: 垂直翼-绿 适用机型: S2  M1.6*5=2PCS	Model: SPH000042 Package: Hang tag +PE bag 配件编号: SPH000042 包装方式: 吊卡+PE袋 Product name: vertical wing-blue 配件名称: 垂直翼-蓝 适用机型: S2  M1.6*5=2PCS	Model: SPH000043 Package: Hang tag +PE bag 配件编号: SPH000043 包装方式: 吊卡+PE袋 Product name: Main Blades 配件名称: 主桨组 适用机型: RS2 S2 	Model: SPH000044 Package: Hang tag +PE bag 配件编号: SPH000044 包装方式: 吊卡+PE袋 Product name: Main rotor holder set 配件名称: 主桨固定配件组 适用机型: RS2 S2  Φ2*Φ10*0.2x4 M2X12 半牙x2 M2螺丝套x2 M2尼龙防松螺母x2
--	---	--	--




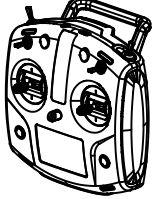
Model: SPH000045 Package: Hang tag +PE bag 配件编号: SPH000045 包装方式: 吊卡+PE袋 Product name: Tail Motor 配件名称: 尾电机 适用机型: S2  M1.6*4=3PCS (Φ1.5*Φ3*0.3*0.6mm)=3PCS	Model: SPH000046 Package: Hang tag +PE bag 配件编号: SPH000046 包装方式: 吊卡+PE袋 Product name: Tail blade 配件名称: 尾桨组 适用机型: S2  M1.6螺丝套=2PCS M1.6*4=2PCS	Model: SPH000047 Package: Hang tag +PE bag 配件编号: SPH000047 包装方式: 吊卡+PE袋 Product name: Lipo Battery Set 配件名称: 锂电池组 适用机型: RS2 S2 	Model: SPH000048 Package: Hang tag +PE bag 配件编号: SPH000048 包装方式: 吊卡+PE袋 Product name: APP Bluetooth Module 配件名称: 蓝牙模块 适用机型: RS2 S2 
---	---	--	---

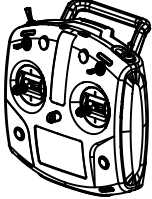
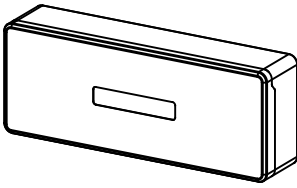
Model: SPH000049 Package: Hang tag +PE bag 配件编号: SPH000049 包装方式: 吊卡+PE袋 Product name: Flight Control Module 配件名称: 飞控 适用机型: S2 	Model: SPH000050 Package: Hang tag +PE bag 配件编号: SPH000050 包装方式: 吊卡+PE袋 Product name: Flight Control Board 配件名称: 飞控板 适用机型: S2 可调参 	Model: SPH000051 Package: Hang tag +PE bag 配件编号: SPH000051 包装方式: 吊卡+PE袋 Product name: ESC Board 配件名称: 电调板 适用机型: S2 	Model: SPH000052 Package: Hang tag +PE bag 配件编号: SPH000052 包装方式: 吊卡+PE袋 Product name: Flight control upper and lower case 配件名称: 飞控外壳 适用机型: S2  M1.2*5=4PCS
--	---	--	---

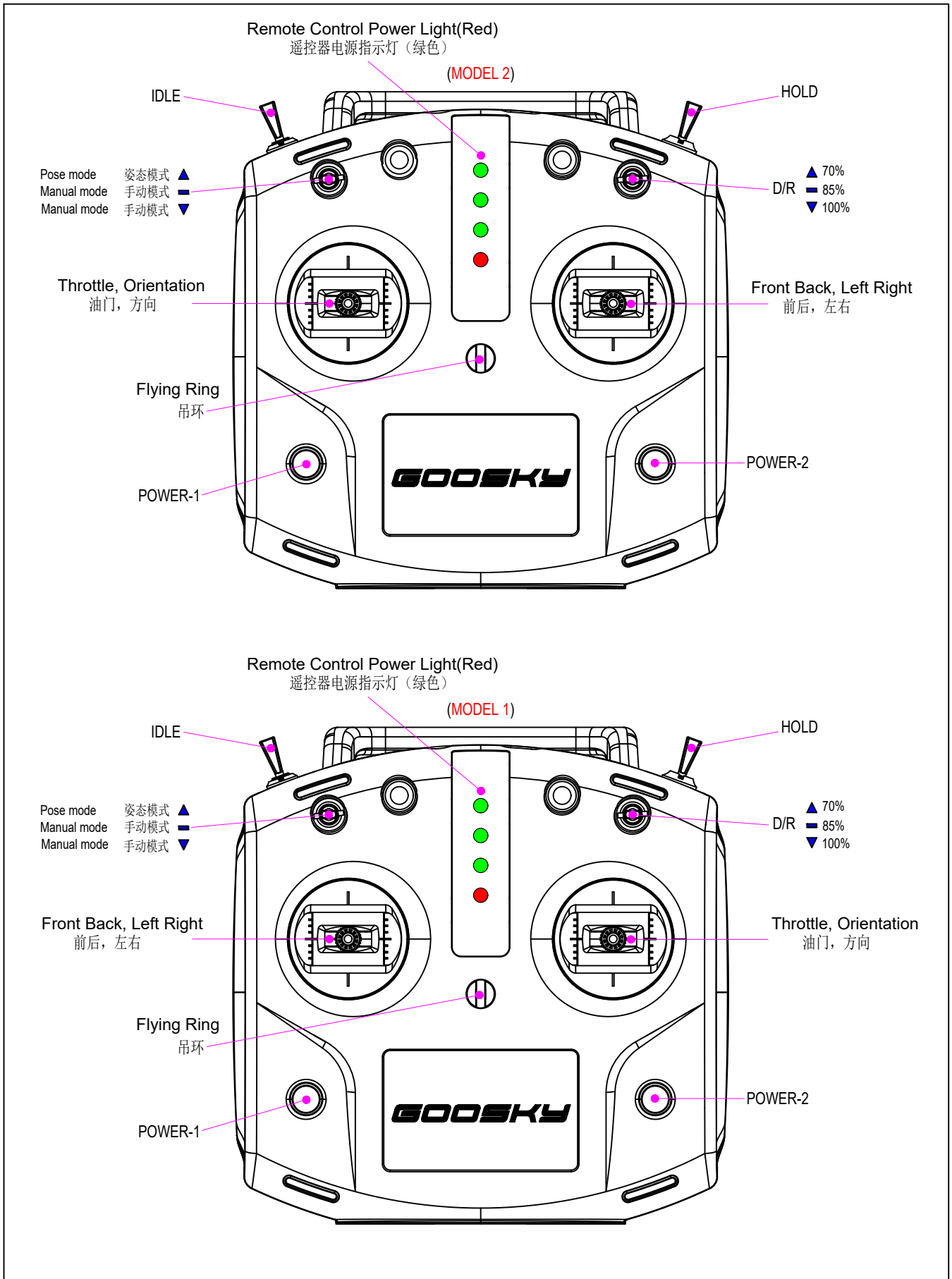
Model: SPH000053 Package: Hang tag +PE bag 配件编号: SPH000053 包装方式: 吊卡+PE袋 Product name: Gasket Set 配件名称: 垫片组件 适用机型: S2  Φ2*Φ10*0.2=4PCS (Φ1.5*Φ3*0.3*0.6mm)=6PCS Φ1.5*Φ2.8*2=2PCS Φ3*Φ4.5*0.1=2PCS Φ2*Φ5*0.2=2PCS Φ1.5*Φ2.8*0.4=2PCS Φ3.1*Φ4.4*1.4=2PCS M2螺丝套=2PCS Φ1.5*Φ2.5*0.2x8 M1.6螺丝套=1PCS (Φ3.1*Φ4*Φ5*0.3*0.55)=2PCS	Model: SPH000054 Package: Hang tag +PE bag 配件编号: SPH000054 包装方式: 吊卡+PE袋 Product name: Screw Kit set 配件名称: 螺丝组 适用机型: S2  M1.4x8-Φ1.5=2PCS M1.6*5=8PCS M1.4x8-Φ1.5=2PCS M1*3=4PCS M1.4x3=3PCS M1.6*6=2PCS M3*4=2PCS M2*12-L=4PCS M2*10-L=1PCS M2*5=2PCS M2.5*8=1PCS M2.5*5=3PCS M1.4x10-Φ1.5=2PCS M1.6*4=32PCS ST1.7*6=2PCS M2*4=2PCS M2.5*5=3PCS M1.4x10-Φ1.5=2PCS M2*6=5PCS M1.6*3=8PCS ST1.5*4=8PCS ST1.5*6=6PCS M1.6*7PCS M2 Nut=5PCS M1.6*3=2PCS M1.4*3=6PCS M1.4*4=2PCS M1.2*5=4PCS ST1.7*4=2PCS
---	--

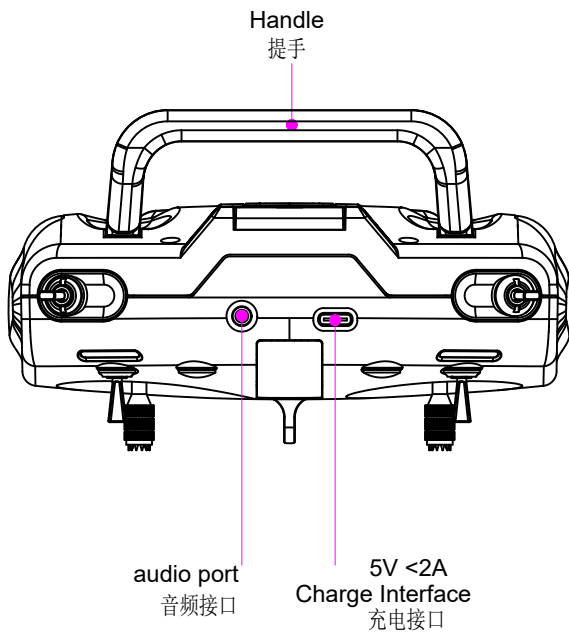
Model: SPH000055 Package: Hang tag +PE bag 配件编号: SPH000055 包装方式: 吊卡+PE袋 Product name: 3M shock absorber 配件名称: 3M减震贴 适用机型: RS2 S2 	Model: SPH000056 Package: Hang tag +PE bag 配件编号: SPH000056 包装方式: 吊卡+PE袋 Product name: Bluetooth module cable 配件名称: 蓝牙模块连接线 适用机型: RS2 S2  50 ±2 0.8	Model: SPH000057 Package: Hang tag +PE bag 配件编号: SPH000057 包装方式: 吊卡+PE袋 Product name: Main Blade Holder for Storage 配件名称: 主翼支架组 适用机型: RS2 S2 	Model: SPH000058 Package: Hang tag +PE bag 配件编号: SPH000058 包装方式: 吊卡+PE袋 Product name: Swashplate servo gear set 配件名称: 十字盘舵机齿轮组 适用机型: RS2 S2 
---	--	--	--

<p>Model: SPH000059 Package: Hang tag +PE bag 配件编号: SPH000059 包装方式: 吊卡+PE袋 Product name: Canopy Accessories set 配件名称: 机壳配件组</p> <p>适用机型: RS2 S2</p>  <p>ST1.7*4=2PCS M1.4*3=2PCS</p>	<p>Model: SPH000060 Package: Hang tag +PE bag 配件编号: SPH000060 包装方式: 吊卡+PE袋 Product name: Canopy Set-yellow red 配件名称: 机头罩-黄红色</p> <p>适用机型: S2</p> 	<p>Model: SPH000061 Package: Hang tag +PE bag 配件编号: SPH000061 包装方式: 吊卡+PE袋 Product name: Canopy Set-yellow green 配件名称: 机头罩-黄绿色</p> <p>适用机型: S2</p> 	<p>Model: SPH000062 Package: Hang tag +PE bag 配件编号: SPH000062 包装方式: 吊卡+PE袋 Product name: Canopy Set-green blue 配件名称: 机头罩-绿蓝色</p> <p>适用机型: S2</p> 
--	---	--	---

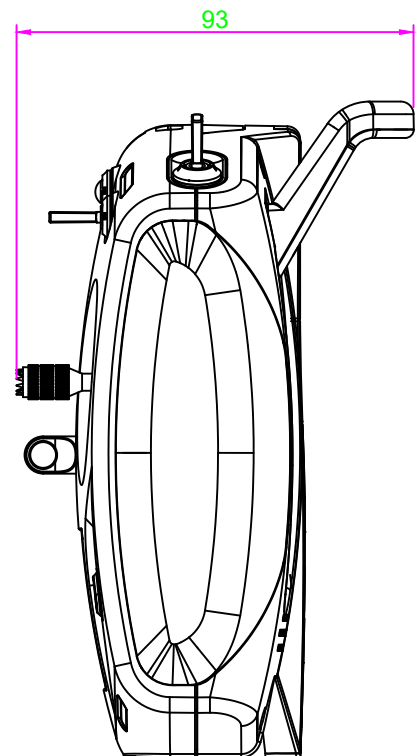
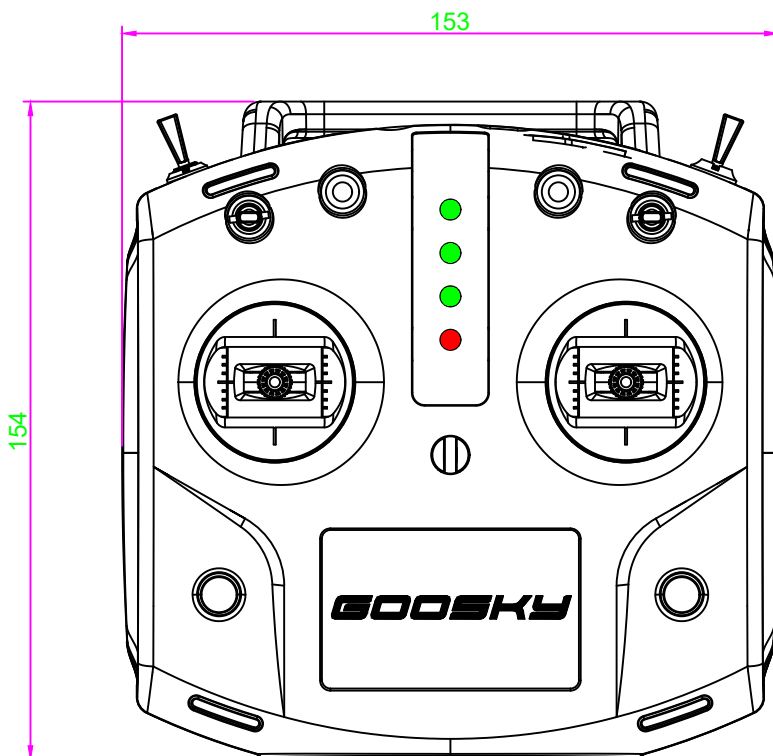
<p>Model: SPH000063 Package: Hang tag +PE bag 配件编号: SPH000063 包装方式: 吊卡+PE袋 Product name: Ball bearing set (MR63ZZ) 配件名称: 滚珠轴承组(MR63ZZ)</p> <p>适用机型: RS2 S2</p>  <p>Ø3*Ø6*2.5=4PCS</p>	<p>Model: SPH000064 Package: Hang tag +PE bag 配件编号: SPH000064 包装方式: 吊卡+PE袋 Product name: Ball bearing set (6701ZZ) 配件名称: 滚珠轴承组(6701ZZ)</p> <p>适用机型: RS2 S2</p>  <p>Φ12*Φ18*4 =2PCS</p>	<p>Model: SPH000065 Package: Hang tag +PE bag 配件编号: SPH000065 包装方式: 吊卡+PE袋 Product name: Ball bearing set (MR104ZZ) 配件名称: 滚珠轴承组(MR104ZZ)</p> <p>适用机型: RS2 S2</p>  <p>Φ4*Φ10*4 =2PCS</p>	<p>Model: SPH000066 Package: Hang tag +PE bag 配件编号: SPH000066 包装方式: 吊卡+PE袋 Product name: Transmitter-MODE1 配件名称: 遥控器-右手油门</p> <p>适用机型: RS2 S2</p> 
---	--	--	--

<p>Model: SPH000067 Package: Hang tag +PE bag 配件编号: SPH000067 包装方式: 吊卡+PE袋 Product name: Transmitter-MODE2 配件名称: 遥控器-左手油门</p> <p>适用机型: RS2 S2</p> 	<p>Model: SPH000068 Package: Hang tag +PE bag 配件编号: SPH000068 包装方式: 吊卡+PE袋 Product name: EPP packaging box 配件名称: EPP包装盒子</p> <p>适用机型: RS2 S2</p> 
--	---





- (Product Model)产品型号: T8
- (Dimensions)外形尺寸长: L153*W93*H154
- (Radio Frequency)无线频率: 2.404GHz--2.4475 GHz
- (Transmit Power)发射功率: < 20 dBm
- (Weight)重量约: 335g
- (Modulation Mode)调制方式: 2FSK
- (Spread Spectrum Mode)扩频方式: FHSS
- (Working Voltage)工作电压: 3.7V
- (Remote Distance)遥控距离: 300m
- (Charge Interface)充电接口: TYPE-C
- (Low Voltage Alarm)低电压报警: 3.35V
- (Battery Type)电池类型: Lithium Polyer Battery
- (Battery Capacity)电池容规格: 2800mAh 3.7V
- (Coach Interface)音频接口: PPM输出



GOOSKY

Zhongshan Goosky Technology Innovation Co., Ltd.
www.goo-sky.com

©2022